



HP TouchSmart tx2 Notebook PC

Maintenance and Service Guide

© Copyright 2008, 2012 Hewlett-Packard
Development Company, L.P.

AMD, Athlon, Turion, and combinations thereof, are trademarks of Advanced Micro Devices, Inc. Bluetooth is a trademark owned by its proprietor and used by Hewlett-Packard Company under license. Microsoft, Windows, and Windows Vista are U.S. registered trademarks of Microsoft Corporation. SD Logo is a trademark of its proprietor.

The information contained herein is subject to change without notice. The only warranties for HP products and services are set forth in the express warranty statements accompanying such products and services. Nothing herein should be construed as constituting an additional warranty. HP shall not be liable for technical or editorial errors or omissions contained herein.

This guide is a troubleshooting reference used for maintaining and servicing the computer. It provides comprehensive information on identifying computer features, components, and spare parts; on troubleshooting computer problems; and on performing computer disassembly procedures.

Second Edition: February 2012

First Edition: December 2008

Document Part Number: 501589-002

Safety warning notice


 **WARNING!** To reduce the possibility of heat-related injuries or of overheating the computer, do not place the computer directly on your lap or obstruct the computer air vents. Use the computer only on a hard, flat surface. Do not allow another hard surface, such as an adjoining optional printer, or a soft surface, such as pillows or rugs or clothing, to block airflow. Also, do not allow the AC adapter to contact the skin or a soft surface, such as pillows or rugs or clothing, during operation. The computer and the AC adapter comply with the user-accessible surface temperature limits defined by the International Standard for Safety of Information Technology Equipment (IEC 60950).

Table of contents

1 Product description	1
2 External component identification	5
Top components	5
Display components	5
Keys	7
Pointing devices	8
Front components	9
Left-side components	10
Right-side components	11
Rear components	12
Bottom components	13
3 Illustrated parts catalog	14
Service tag	14
Computer major components	15
Plastics Kit	21
Mass storage devices	22
Miscellaneous parts	23
Sequential part number listing	24
4 Removal and replacement procedures	30
Preliminary replacement requirements	30
Tools required	30
Service considerations	30
Plastic parts	30
Cables and connectors	31
Drive handling	31
Grounding guidelines	32
Electrostatic discharge damage	32
Packaging and transporting guidelines	33

Workstation guidelines	33
Equipment guidelines	34
Unknown user password	35
Component replacement procedures	36
Service tag	36
Computer feet	37
Battery	38
Pen	39
Hard drive	40
RTC battery	42
Optical drive	43
Memory module	44
WLAN module	46
Keyboard	49
Switch cover	51
Display assembly	53
Top cover	56
Power switch assembly	58
Bluetooth module	60
System board	61
Pen holder and pen eject assembly	64
Audio/infrared board	65
Fan/heat sink assembly	67
Processor	69
5 Setup Utility	71
Starting the Setup Utility	71
Changing the language of the Setup Utility	72
Navigating and selecting in the Setup Utility	72
Displaying system information	72
Restoring default settings in the Setup Utility	73
Using advanced Setup Utility features	73
Closing the Setup Utility	74
Setup Utility menus	74
Main menu	74
Security menu	74
System Configuration menu	75
Diagnostics menu	75
6 Specifications	76
Computer specifications	76

12.1-inch, WXGA BrightView display specifications	77
Hard drive specifications	78
DVD±RW and CD-RW SuperMulti Double-Layer Combo Drive specifications	79
System DMA specifications	80
System interrupt specifications	81
System I/O address specifications	82
System memory map specifications	84
7 Screw listing	85
Phillips PM3.0×3.0 screw	85
Phillips PM2.0×7.0 screw	86
Phillips PM2.0×4.0 screw	87
Phillips PM2.0×5.0 captive screw	89
Black Phillips PM2.0×3.0 screw	90
Phillips PM2.0×11.0 screw	91
Phillips PM2.5×6.0 screw	92
Silver Phillips PM2.0×3.0 screw	93
8 Backup and recovery	94
Recovering system information	94
Creating recovery discs	94
Backing up your information	95
When to back up	95
Backup suggestions	96
Using system restore points	96
When to create restore points	96
Create a system restore point	96
Restore to a previous date and time	97
Performing a recovery	97
Recovering from the recovery discs	97
Recovering from the partition on the hard drive	97
9 Connector pin assignments	99
Audio-in (microphone)	99
Audio-out (headphone)	99
External monitor	100
RJ-11 (modem)	101
RJ-45 (network)	101
S-Video-out	102
Universal Serial Bus	102

10 Power cord set requirements	103
Requirements for all countries or regions	103
Requirements for specific countries or regions	104
11 Recycling	105
Battery	105
Display	105
Index	111

1 Product description

Category	Description
Product Name	HP TouchSmart tx2 Notebook PC
	AMD Turion™ 64 Mobile Technology Ultra Dual-Core ZM-87 processor, 2.40-GHz, 2-MB L2 cache, 800-MHz front side bus (FSB)
Processors	AMD Turion 64 Mobile Technology Ultra Dual-Core ZM-86 processor, 2.40-GHz, 2-MB L2 cache, 800-MHz front side bus (FSB)
	AMD Turion 64 Mobile Technology Ultra Dual-Core ZM-85 processor, 2.30-GHz, 2-MB L2 cache, 800-MHz front side bus (FSB)
	AMD Turion 64 Mobile Technology Ultra Dual-Core ZM-84 processor, 2.30-GHz, 2-MB L2 cache, 800-MHz FSB
	AMD Turion 64 Mobile Technology Ultra Dual-Core ZM-82 processor, 2.20-GHz, 2-MB L2 cache, 800-MHz FSB
	AMD Turion 64 Mobile Technology Ultra Dual-Core ZM-80 processor, 2.10-GHz, 2-MB L2 cache, 800-MHz FSB
	AMD Turion 64 Mobile Technology Dual-Core RM-77 processor, 2.30-GHz, 1-MB L2 cache, 800-MHz FSB
	AMD Turion 64 Mobile Technology Dual-Core RM-75 processor, 2.20-GHz, 1-MB L2 cache, 800-MHz FSB
	AMD Turion 64 Mobile Technology Dual-Core RM-74 processor, 2.10-GHz, 1-MB L2 cache, 800-MHz FSB
	AMD Turion 64 Mobile Technology Dual-Core RM-72 processor, 2.00-GHz, 1-MB L2 cache, 800-MHz FSB
	AMD Mobile Athlon™ Dual-Core QL-67 processor, 2.20-GHz, 1-MB L2 cache, 667-MHz FSB
	AMD Mobile Athlon Dual-Core QL-65 processor, 2.10-GHz, 1-MB L2 cache, 667-MHz FSB
	AMD Mobile Athlon Dual-Core QL-64 processor, 2.10-GHz, 1-MB L2 cache, 667-MHz FSB
	AMD Mobile Athlon Dual-Core QL-62 processor, 2.00-GHz, 1-MB L2 cache, 667-MHz FSB
Chipset	ATI Northbridge: AMD M780G
	ATI Southbridge: SB700
Graphics	ATI Radeon HD 3200

Category	Description
	Unified memory architecture (UMA) graphics subsystem memory integrated with system memory; graphics subsystem memory size is dynamic change
Panels	12.1-inch, WXGA (1280 × 800, 16:10 wide aspect ratio), LED BrightView with NTRIG touch-screen (multitouch enabled) and EMR support
	Typical brightness: 200 nits
Memory	<ul style="list-style-type: none"> Two SODIMM slots Customer accessible/upgradable Dual-channel support DDR2, PC2-6400, 800-MHz
	8192-MB total system memory (4096 MB × 2, dual-channel)
	6144-MB total system memory (4096 MB + 2048 MB)
	4096-MB total system memory (4096 MB × 1, 2048 MB × 2, dual-channel)
	3072-MB total system memory (2048 MB + 1024 MB)
	2048-MB total system memory (2048 MB × 1, 1024 MB × 2, dual-channel)
	1024-MB total system memory (1024 MB × 1)
Hard drives	<ul style="list-style-type: none"> Supports all 9.5-mm, 6.35-cm (2.5-inch) hard drives Serial ATA
	500-GB, 7200-rpm
	320-GB, 7200- and 5400-rpm
	160-GB, 7200-rpm
Optical drives	<ul style="list-style-type: none"> 12.7-mm tray load Parallel ATA
	DVD±RW and CD-RW SuperMulti Double-Layer Combo Drive with LightScribe
	DVD±RW and CD-RW SuperMulti Double-Layer Combo Drive
Web camera	Low-light VGA camera, fixed (no tilt), with activity light, 24 frames per second
Diskette drive	Supports external USB drive only
Audio	<ul style="list-style-type: none"> HD audio—Azalia technology with SRS audio enhancement Supports Microsoft® Gold requirements Two omni-directional, dual-array microphones Beam-forming, echo-cancellation, noise-suppression software Pavilion-branded Altec Lansing speakers
Modem	<ul style="list-style-type: none"> Motorola 56K V.92 data/fax modem Supports all worldwide certification requirements Modem cable is not included

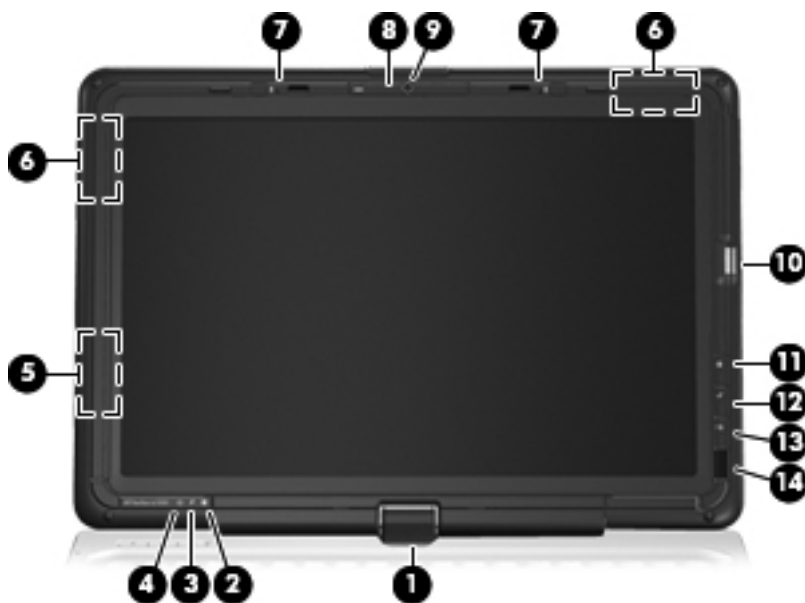
Category	Description
Ethernet	<ul style="list-style-type: none"> Integrated Realtek 10/100/1000 (Gigabit Ethernet) Ethernet cable included
Wireless	<p>Integrated wireless local area network (WLAN) options by way of wireless module (includes two 2.4-GHz antennae in display assembly):</p> <p>Broadcom 4322 802.11a/b/g/n + Bluetooth®</p> <p>Broadcom 4322 802.11a/b/g/n</p> <p>Broadcom 4321AGN 802.11a/b/g/draft-n mini-PCI adapter card</p> <p>Broadcom BCM4312 802.11b/g + Bluetooth</p> <p>Broadcom BCM4312 802.11b/g</p>
External media card	<ul style="list-style-type: none"> One ExpressCard/34 slot, requires slot bezel 5-in-1 Digital Media Slot, supports SD, MMC, MS, MSpro, and xD. With adapter (not included), supports mini versions of SD, MMC, and MS Duo.
Ports	<p>Audio-in (stereo microphone)</p> <p>Audio-out (stereo headphone)</p> <p>Audio-out (stereo headphone with S/PDIF)</p> <p>Consumer infrared (one in computer base, one in display assembly)</p> <p>eSATA</p> <p>High-definition multimedia interface (HDMI) v1.3 supporting 1080p with high-bandwidth digital content protection (HDCP) key</p> <p>RJ-11 (modem)</p> <p>RJ-45 (Ethernet), includes link and activity lights</p> <p>S-Video-out (includes component video support)</p> <p>USB (3)</p> <p>VGA (Dsub 15 pin) supporting 1600 × 1200 external resolution @ 75 Hz. Disabled when connected to devices through the expansion port 3. Hot plug, unplug, and auto detect for correct output to wide-aspect and standard-aspect video.</p> <p>1394a</p> <p>2-pin 65-W AC power</p>
Docking	Docking support through the expansion port 3. Supports the HP xb3000 Notebook Expansion Base and the HP Notebook QuickDock.
Keyboard/pointing devices	<p>12.1-inch keyboard with embedded numeric keypad</p> <p>Taps enabled as default</p> <p>TouchPad with 2 buttons and two-way scroll</p> <p>Wacom 9.0-mm touch-screen pen</p>

Category	Description
Power requirements	8-cell, 73-Wh, 2.55-Ah Li-ion battery
	6-cell, 55-Wh, 2.55-Ah Li-ion battery
	4-cell, 37-Wh, 2.55-Ah Li-ion battery (for use only with computer models equipped with AMD Turion 64 processors)
	65-W AC adapter with localized cable plug support (2-wire plug with ground pin, supports 2-pin DC connector)
Security	Security cable slot
	Fingerprint reader with software support
Operating system	Preinstalled:
	Windows Vista® Business (32-bit)
	Windows Vista Premium (32- and 64-bit)
	Windows Vista Ultimate (64-bit)
Serviceability	End-user replaceable parts:
	AC adapter
	Battery (system)
	Hard drive
	Memory module
	Optical drive
	RTC battery
WLAN module	

2 External component identification

Top components

Display components



Item	Component	Function
(1)	Convertible hinge	Swivels the display and converts the computer from traditional notebook mode into slate mode or vice versa. In slate mode, the display is rotated and folded flat, so that you can view content while carrying the computer.
(2)	Drive light	Blinking: The hard drive or optical drive is being accessed.

Item	Component	Function
(3)	Battery light	<ul style="list-style-type: none"> On: A battery is charging. Blinking: A battery that is the only available power source has reached a low battery level. When the battery reaches a critical battery level, the battery light begins blinking rapidly. Off: If the computer is plugged into an external power source, the light is turned off when all batteries in the computer are fully charged. If the computer is not plugged into an external power source, the light stays off until the battery reaches a low battery level.
(4)	Power light	<ul style="list-style-type: none"> On: The computer is on. Blinking: The computer is in the Sleep state. Off: The computer is off or in Hibernation.
(5)	Internal display switch	Turns off the display and initiates Sleep if the display is closed while the power is on.
(6)	Wireless antennae (select models only)*	<p>Send and receive wireless signals to communicate with WLANs.</p> <p>NOTE: The antennae are not visible from the outside of the computer. For optimal transmission, keep the areas immediately around the antennae free from obstructions.</p>
(7)	Internal microphones (2)	Record sound.
(8)	Display release latch	Opens the computer.
(9)	Integrated camera (select models only)	Records video and captures still photographs.
(10)	Fingerprint reader (select models only)	Allows a fingerprint logon to Windows® instead of a password logon.
(11)	Mobility Center button	Opens Mobility Center.
(12)	MediaSmart button	Launches the MediaSmart program when the computer is on.
(13)	Rotate button	Rotates the screen image clockwise into 4 orientations: landscape primary, landscape secondary, portrait primary, and portrait secondary.
(14)	Consumer infrared lens	Receives a signal from the HP Remote Control.

*To see wireless regulatory notices, refer to the section of the *Regulatory, Safety, and Environmental Notices* that applies to your country or region. These notices are located in Help and Support.

Keys



Item	Component	Function
(1)	esc key	Displays system information when pressed in combination with the fn key.
(2)	fn key	Executes frequently used system functions when pressed in combination with a function key or the esc key.
(3)	Windows logo key	Displays the Windows Start menu.
(4)	Windows applications key	Displays a shortcut menu for items beneath the pointer.
(5)	Embedded numeric keypad keys	Can be used like the keys on an external numeric keypad.
(6)	Function keys	Execute frequently used system functions when pressed in combination with the fn key.

Pointing devices



Item	Component	Function
(1)	TouchPad on/off button	Enables/disables the TouchPad.
(2)	TouchPad*	Moves the pointer and selects or activates items on the screen.
(3)	Left TouchPad button*	Functions like the left button on an external mouse.
(4)	TouchPad light	<ul style="list-style-type: none">• Blue: TouchPad is enabled.• Amber: TouchPad is disabled.
(5)	TouchPad vertical scroll zone	Scrolls up or down.
(6)	Right TouchPad button*	Functions like the right button on an external mouse.

*This table describes factory settings. To view and change pointing device preferences, select **Start > Control Panel > Hardware and Sound > Mouse**.

Front components



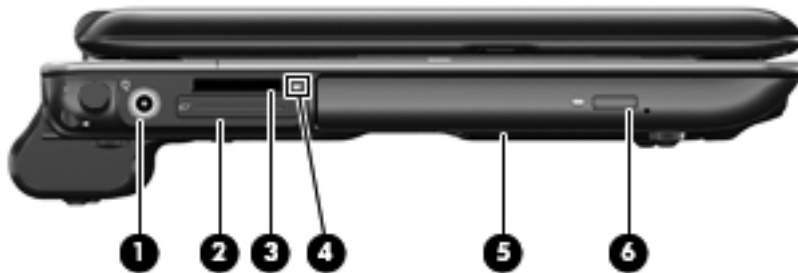
Item	Component	Function
(1)	Display release latch	Opens the computer.
(2)	Power switch*	<ul style="list-style-type: none"> When the computer is off, slide the power switch to the right to turn on the computer. When the computer is on, slide the power switch to the right to initiate Sleep. When the computer is in the Sleep state, slide the power switch to the right briefly to exit Sleep. When the computer is in Hibernation, slide the power switch to the right briefly to exit Hibernation. <p>If the computer has stopped responding and Windows shutdown procedures are not effective, slide the power switch to the right and hold for at least 5 seconds to turn off the computer.</p> <p>To learn more about your power settings, select Start > Control Panel > System and Maintenance > Power Options.</p> <p>To learn more about Sleep or Hibernation, refer to the <i>Power Management</i> guide.</p>
(3)	Power light	<ul style="list-style-type: none"> On: The computer is on. Blinking: The computer is in the Sleep state. Off: The computer is off or in Hibernation.
(4)	Consumer infrared lens	Receives a signal from the HP Remote Control.
(5)	Audio-out (headphone) S/PDIF jack	Provides enhanced audio performance, including surround sound and other high-end audio output.
(6)	Audio-out (headphone) jack	Produces sound when connected to optional powered stereo speakers, headphones, ear buds, a headset, or television audio.
(7)	Audio-in (microphone) jack	Connects an optional computer headset microphone, stereo array microphone, or monaural microphone.
(8)	Wireless switch	Turns the wireless feature on or off, but does not create a wireless connection.

NOTE: A wireless network must be set up in order to establish a wireless connection.

Item	Component	Function
(9)	Wireless light	<ul style="list-style-type: none"> Blue: An integrated wireless device, such as a WLAN device and/or a Bluetooth device, is turned on. Amber: All wireless devices are turned off.

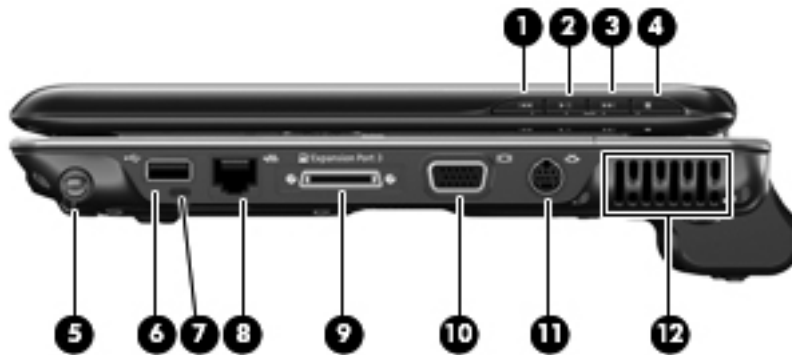
*This table describes factory settings. For information about changing factory settings, refer to the user guides located in Help and Support.

Left-side components



Item	Component	Function
(1)	Power connector	Connects an AC adapter.
(2)	ExpressCard slot	Supports optional ExpressCard/34 cards.
(3)	Digital Media Slot	Supports the following optional digital card formats: Secure Digital (SD) Memory Card, MultiMediaCard (MMC), Memory Stick (MS), Memory Stick Pro (MSP), xD-Picture Card (XD), xD-Picture Card (XD) Type M.
(4)	Digital Media Slot light	On: A digital card is being accessed.
(5)	Optical drive	Reads optical discs and, on select models, also writes to optical discs.
(6)	Optical light	Blinking: The optical drive is being accessed.

Right-side components



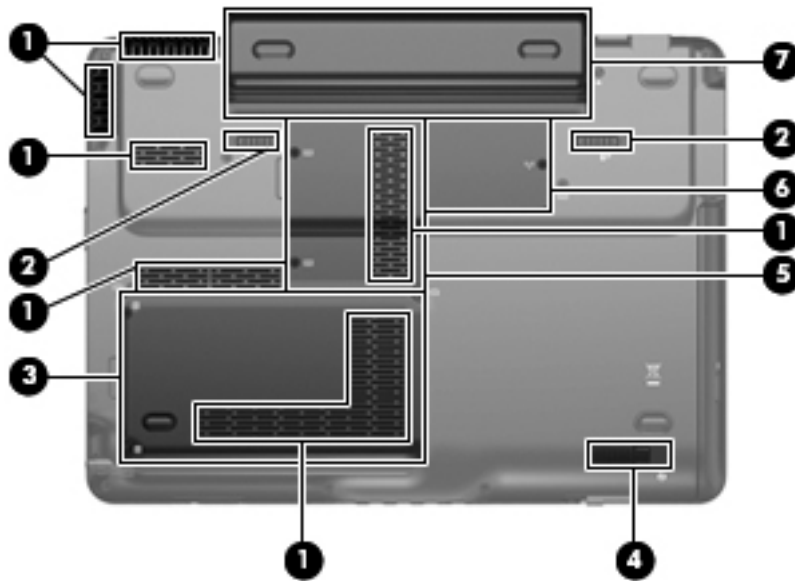
Item	Component	Function
(1)	Previous/rewind button	<ul style="list-style-type: none"> Plays the previous track or chapter when the button is pressed once. Rewinds media when the button is pressed simultaneously with the fn key.
(2)	Play/pause button	Plays or pauses media.
(3)	Next/fast forward button	<ul style="list-style-type: none"> Plays the next track or chapter when the button is pressed once. Fast forwards media when pressed simultaneously with the fn key.
(4)	Stop button	Stops playback.
(5)	Pen holder	Stores the pen.
(6)	USB port	Connects an optional USB device.
(7)	Pen tether hole	Connects the pen tether.
(8)	RJ-45 (network) jack	Connects a network cable.
(9)	Expansion port 3	<p>Connects the computer to an optional docking device or an optional expansion product.</p> <p>NOTE: The computer has only one expansion port. The term <i>expansion port 3</i> describes the type of expansion port.</p>
(10)	External monitor port	Connects an external VGA monitor or projector.
(11)	S-Video-out jack	Connects an optional S-Video device such as a television, VCR, camcorder, overhead projector, or video capture card.
(12)	Vent	<p>Enables airflow to cool internal components.</p> <p>NOTE: The computer fan starts up automatically to cool internal components and prevent overheating. It is normal for the internal fan to cycle on and off during routine operation.</p>

Rear components



Item	Component	Function
(1)	Vent	Enables airflow to cool internal components. NOTE: The computer fan starts up automatically to cool internal components and prevent overheating. It is normal for the internal fan to cycle on and off during routine operation.
(2)	RJ-11 (modem) jack	Connects a modem cable.
(3)	USB ports (2)	Connect optional USB devices.
(4)	Security cable slot	Attaches an optional security cable to the computer. NOTE: The security cable is designed to act as a deterrent, but it may not prevent the computer from being mishandled or stolen.

Bottom components



Item	Component	Function
(1)	Vents (6)	Enable airflow to cool internal components. NOTE: The computer fan starts up automatically to cool internal components and prevent overheating. It is normal for the internal fan to cycle on and off during routine operation.
(2)	Battery release latches (2)	Release the battery from the battery bay.
(3)	Hard drive bay	Holds the hard drive and the RTC battery.
(4)	Optical drive release latch	Releases the optical drive from the drive bay.
(5)	Memory module compartment	Contains the memory module slots.
(6)	WLAN module compartment	Holds a WLAN module (select models only). NOTE: To prevent an unresponsive system, replace the wireless module only with a wireless module authorized for use in the computer by the governmental agency that regulates wireless devices in your country or region. If you replace the module and then receive a warning message, remove the module to restore computer functionality, and then contact technical support through Help and Support.
(7)	Battery bay	Holds the battery.

3 Illustrated parts catalog

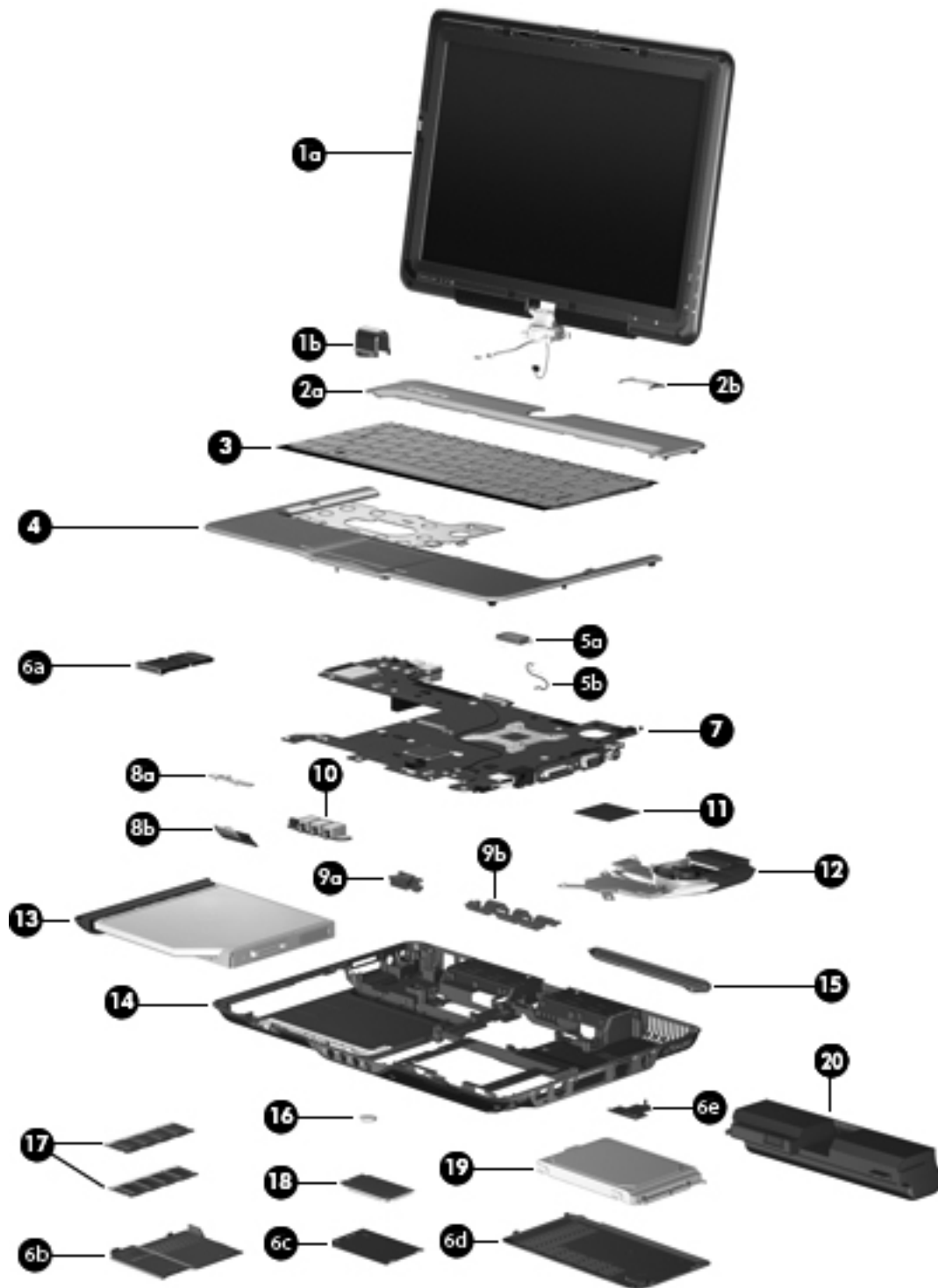
Service tag

When ordering parts or requesting information, provide the computer serial number and model description provided on the service tag.

- (1) Product name: This is the product name affixed to the front of the computer.
- (2) Serial number (s/n): This is an alphanumeric identifier that is unique to each product.
- (3) Part number/Product number (p/n): This number provides specific information about the product's hardware components. The part number helps a service technician to determine what components and parts are needed.
- (4) Model description: This is the number used to locate documents, drivers, and support for the computer.
- (5) Warranty period: This number describes the duration of the warranty period for the computer.



Computer major components



Item	Description	Spare part number
(1a)	Display assembly	
	12.1-inch, WXGA, BrightView touch-screen display assembly with Web camera, fingerprint reader, microphones, and WLAN antenna cables	504468-001

Item	Description	Spare part number
	12.1-inch, WXGA, BrightView touch-screen display assembly with Web camera, microphones, and WLAN antenna cables	504467-001
(1b)	Display convertible hinge cover (included with display assembly)	
	Display Rubber Kit (not illustrated, includes 8 display bezel rubber screw covers)	464824-001
(2a)	Switch cover	506827-001
(2b)	Switch cover trim (included with switch cover)	
(3)	Keyboard (includes keyboard cable)	
	Belgium	508112-A41
	Brazil	508112-201
	Canada	508112-121
	Denmark, Finland, and Norway	508112-DH1
	France	508112-051
	Germany	508112-041
	Israel	508112-BB1
	Italy	508112-061
	Japan	508112-291
	Latin America	508112-161
	The Netherlands	508112-B31
	Portugal	508112-131
	Russia	508112-251
	Saudi Arabia	508112-171
	South Korea	508112-AD1
	Spain	508112-071
	Switzerland	508112-111
	Taiwan	508112-AB1
	Thailand	508112-281
	Turkey	508112-141
	The United Kingdom	508112-031
	The United States	508112-001
(4)	Top cover (includes TouchPad and TouchPad cable, caps lock light board and cable, and top cover bumper pads)	506824-001
(5a)	Bluetooth module	483113-001
(5b)	Bluetooth module cable	487697-001
	Plastics Kit	487926-001
(6a)	ExpressCard slot bezel	

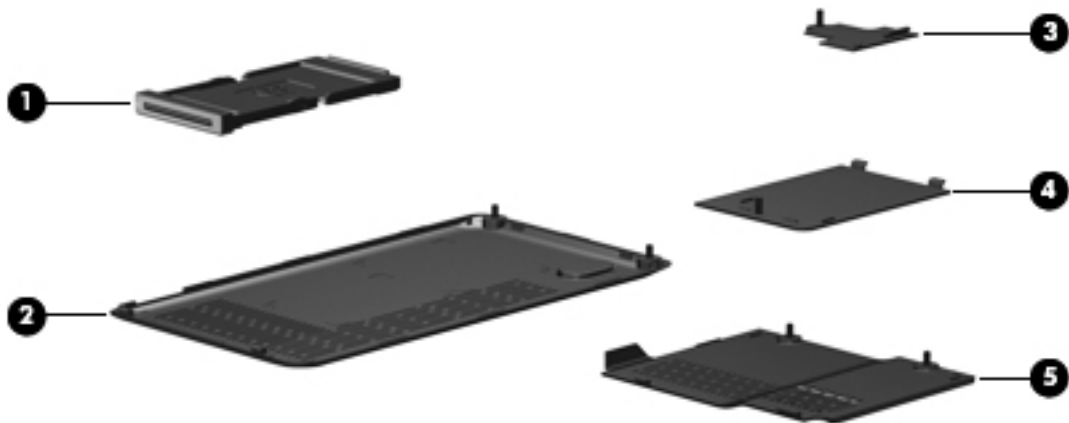
Item	Description	Spare part number
(6b)	Memory module compartment cover (includes 2 captive screws, secured with C-clips)	
(6c)	WLAN module compartment cover (includes 1 captive screw, secured with a C-clip)	
(6d)	Hard drive cover (includes one rubber foot and 2 captive screws, secured with C-clips)	
(6e)	Display connector cover (includes 1 captive screw, secured with a C-clip)	
(7)	System board (includes replacement thermal material)	504466-001
(8a)	Power switch assembly (includes power switch board cable and power switch board actuator)	506828-001
(8b)	Power switch board actuator	
(9a)	Pen eject assembly (includes pen holder)	506826-001
(9b)	Pen holder	
(10)	Audio/infrared board (includes audio/infrared board cable)	441144-001
(11)	Processor (includes replacement thermal material)	
	AMD Turion 64 Mobile Technology Dual-Core ZM-87 (2.40-GHz, 1-MB L2 cache, 800-MHz FSB)	572564-001
	AMD Turion 64 Mobile Technology Ultra Dual-Core ZM-86 (2.40-GHz, 1-MB L2 cache, 800-MHz FSB)	507974-001
	AMD Turion 64 Mobile Technology Dual-Core ZM-85 (2.30-GHz, 1-MB L2 cache, 800-MHz FSB)	532119-001
	AMD Turion 64 Mobile Technology Ultra Dual-Core ZM-84 (2.30-GHz, 1-MB L2 cache, 800-MHz FSB)	507975-001
	AMD Turion 64 Mobile Technology Ultra Dual-Core ZM-82 (2.20-GHz, 1-MB L2 cache, 800-MHz FSB)	507973-001
	AMD Turion 64 Mobile Technology Ultra Dual-Core ZM-80 (2.10-GHz, 1-MB L2 cache, 800-MHz FSB)	507972-001
	AMD Turion 64 Mobile Technology Dual-Core RM-77 (2.30-GHz, 1-MB L2 cache, 800-MHz FSB)	572565-001
	AMD Turion 64 Mobile Technology Dual-Core RM-75 (2.20-GHz, 1-MB L2 cache, 800-MHz FSB)	532120-001
	AMD Turion 64 Mobile Technology Dual-Core RM-74 (2.20-GHz, 1-MB L2 cache, 800-MHz FSB)	507979-001
	AMD Turion 64 Mobile Technology Dual-Core RM-72 (2.10-GHz, 1-MB L2 cache, 800-MHz FSB)	507978-001
	AMD Athlon Dual-Core QL-67 (2.20-GHz, 512-KB L2 cache, 667-MHz FSB)	572566-001
	AMD Athlon Dual-Core QL-65 (2.10-GHz, 512-KB L2 cache, 667-MHz FSB)	532121-001
	AMD Athlon Dual-Core QL-64 (2.10-GHz, 512-KB L2 cache, 667-MHz FSB)	506053-001
	AMD Athlon Dual-Core QL-62 (2.00-GHz, 512-KB L2 cache, 667-MHz FSB)	506052-001
(12)	Fan/heat sink assembly (includes replacement thermal material)	487925-001
(13)	Optical drive (includes bezel)	
	DVD±RW and CD-RW SuperMulti Double-Layer Combo Drive with LightScribe	509073-001

Item	Description	Spare part number
	DVD±RW and CD-RW SuperMulti Double-Layer Combo Drive	509074-001
(14)	Base enclosure (includes optical drive release assembly, 2 battery release latches, and 4 rubber feet)	506825-001
	Rubber Feet Kit (not illustrated, includes 4 base enclosure rubber feet and pen cover)	464821-001
(15)	Pen	516454-001
(16)	RTC battery	449729-001
(17)	Memory modules (DDR2, PC2-6400, 800-MHz)	
	4096-MB	598855-001
	248-MB	598858-001
	1024-MB	598861-001
(18)	WLAN module	
	Broadcom 4322 802.11a/b/g/n WLAN modules:	
	<ul style="list-style-type: none"> For use in Canada, the Cayman Islands, Guam, Puerto Rico, the U.S. Virgin Islands, and the United States 	487330-001
	<ul style="list-style-type: none"> For use in Afghanistan, Albania, Algeria, Andorra, Angola, Antigua and Barbuda, Argentina, Armenia, Aruba, Australia, Austria, Azerbaijan, the Bahamas, Bahrain, Bangladesh, Barbados, Belgium, Belize, Benin, Bermuda, Bolivia, Bosnia and Herzegovina, Botswana, Brazil, the British Virgin Islands, Brunei, Bulgaria, Burkina Faso, Burundi, Cameroon, Cape Verde, the Cayman Islands, the Central African Republic, Chad, Chile, Colombia, Comoros, the Congo, Costa Rica, Croatia, Cyprus, the Czech Republic, Denmark, Djibouti, Dominica, the Dominican Republic, East Timor, Ecuador, Egypt, El Salvador, Equatorial Guinea, Eritrea, Estonia, Ethiopia, Fiji, Finland, France, French Guiana, Gabon, Gambia, Georgia, Germany, Ghana, Gibraltar, Greece, Guadeloupe, Guam, Guatemala, Guinea, Guinea-Bissau, Guyana, Haiti, Honduras, Hong Kong, Hungary, Iceland, India, Ireland, Italy, the Ivory Coast, Jamaica, Jordan, Kenya, Kiribati, Kyrgyzstan, Laos, Latvia, Lesotho, Liberia, Liechtenstein, Lithuania, Luxembourg, Macedonia, Madagascar, Malawi, the Maldives, Mali, Malta, the Marshall Islands, Martinique, Mauritania, Mauritius, Mexico, Micronesia, Monaco, Mongolia, Montenegro, Morocco, Mozambique, Namibia, Nauru, Nepal, the Netherlands, New Zealand, Nicaragua, Niger, Nigeria, Norway, Oman, Pakistan, Palau, Panama, Papua New Guinea, Paraguay, the People's Republic of China, Peru, the Philippines, Poland, Portugal, Puerto Rico, the Republic of Moldova, Romania, Russia, Rwanda, Samoa, San Marino, Sao Tome and Principe, Saudi Arabia, Senegal, Serbia, the Seychelles, Sierra Leone, Singapore, Slovakia, Slovenia, the Solomon Islands, Somalia, South Africa, Spain, Sri Lanka, St. Kitts and Nevis, St. Lucia, St. Vincent and the Grenadines, Suriname, Swaziland, Sweden, Switzerland, Taiwan, Tajikistan, Tanzania, Togo, Tonga, Trinidad and Tobago, Tunisia, Turkey, Turkmenistan, Tuvalu, Uganda, the United Arab Emirates, the United Kingdom, Uruguay, Uzbekistan, Venezuela, Vietnam, Yemen, Zaire, Zambia, and Zimbabwe 	487330-002
	Broadcom BCM4312 802.11b/g WLAN modules:	
	<ul style="list-style-type: none"> For use in Canada, the Cayman Islands, Guam, Puerto Rico, the U.S. Virgin Islands, and the United States 	459263-001

Item	Description	Spare part number
	<ul style="list-style-type: none"> For use in Afghanistan, Albania, Algeria, Andorra, Angola, Antigua and Barbuda, Argentina, Armenia, Aruba, Australia, Austria, Azerbaijan, the Bahamas, Bahrain, Bangladesh, Barbados, Belgium, Belize, Benin, Bermuda, Bolivia, Bosnia and Herzegovina, Botswana, Brazil, the British Virgin Islands, Brunei, Bulgaria, Burkina Faso, Burundi, Cameroon, Cape Verde, the Cayman Islands, the Central African Republic, Chad, Chile, Colombia, Comoros, the Congo, Costa Rica, Croatia, Cyprus, the Czech Republic, Denmark, Djibouti, Dominica, the Dominican Republic, East Timor, Ecuador, Egypt, El Salvador, Equatorial Guinea, Eritrea, Estonia, Ethiopia, Fiji, Finland, France, French Guiana, Gabon, Gambia, Georgia, Germany, Ghana, Gibraltar, Greece, Guadeloupe, Guam, Guatemala, Guinea, Guinea-Bissau, Guyana, Haiti, Honduras, Hong Kong, Hungary, Iceland, India, Ireland, Italy, the Ivory Coast, Jamaica, Jordan, Kenya, Kiribati, Kyrgyzstan, Laos, Latvia, Lesotho, Liberia, Liechtenstein, Lithuania, Luxembourg, Macedonia, Madagascar, Malawi, the Maldives, Mali, Malta, the Marshall Islands, Martinique, Mauritania, Mauritius, Mexico, Micronesia, Monaco, Mongolia, Montenegro, Morocco, Mozambique, Namibia, Nauru, Nepal, the Netherlands, New Zealand, Nicaragua, Niger, Nigeria, Norway, Oman, Pakistan, Palau, Panama, Papua New Guinea, Paraguay, the People's Republic of China, Peru, the Philippines, Poland, Portugal, Puerto Rico, the Republic of Moldova, Romania, Russia, Rwanda, Samoa, San Marino, Sao Tome and Principe, Saudi Arabia, Senegal, Serbia, the Seychelles, Sierra Leone, Singapore, Slovakia, Slovenia, the Solomon Islands, Somalia, South Africa, Spain, Sri Lanka, St. Kitts and Nevis, St. Lucia, St. Vincent and the Grenadines, Suriname, Swaziland, Sweden, Switzerland, Taiwan, Tajikistan, Tanzania, Togo, Tonga, Trinidad and Tobago, Tunisia, Turkey, Turkmenistan, Tuvalu, Uganda, the United Arab Emirates, the United Kingdom, Uruguay, Uzbekistan, Venezuela, Vietnam, Yemen, Zaire, Zambia, and Zimbabwe 	459263-002
	Broadcom 4321AGN 802.11a/b/g/draft-n mini-PCI adapter card	
	<ul style="list-style-type: none"> For use in the United States and Canada 	453730-001

Item	Description	Spare part number
	<ul style="list-style-type: none"> For use in Afghanistan, Albania, Algeria, Andorra, Angola, Antigua & Barbuda, Argentina, Armenia, Aruba, Australia, Austria, Azerbaijan, the Bahamas, Bahrain, Bangladesh, Barbados, Belarus, Belgium, Belize, Benin, Bermuda, Bhutan, Bolivia, Bosnia & Herzegovina Botswana, Brazil, the British Virgin Islands, Brunei, Bulgaria, Burkina Faso, Burundi, Cambodia, Cameroon, Cape Verde, the Central African Republic, Chad, Chile, Colombia, Comoros, the Congo, Costa Rica, Croatia, Cyprus, the Czech Republic, Denmark, Djibouti, Dominica, the Dominican Republic, East Timor, Ecuador, Egypt, El Salvador, Equatorial Guinea, Eritrea, Estonia, Ethiopia, Fiji, Finland, France, French Guiana, Gabon, Gambia, Georgia, Germany, Ghana, Gibraltar, Greece, Grenada, Guadeloupe, Guatemala, Guinea, Guinea-Bissau, Guyana, Haiti, Honduras, Hong Kong, Hungary, Iceland, India, Indonesia, Ireland, Israel, Italy, the Ivory Coast, Jamaica, Jordan, Kazakhstan, Kenya, Kiribati, Kuwait, Kyrgyzstan, Laos, Latvia, Lebanon, Lesotho, Liberia, Liechtenstein, Lithuania, Luxembourg, Macedonia, Madagascar, Malawi, Malaysia, the Maldives, Mali, Malta, the Marshall Islands, Martinique, Mauritania, Mauritius, Mexico, Micronesia, Monaco, Mongolia, Montenegro, Morocco, Mozambique, Namibia, Nauru, Nepal, the Nether Antilles, the Netherlands, New Zealand, Nicaragua, Niger, Nigeria, Norway, Oman, Palau, Panama, Papua New Guinea, Paraguay, the People's Republic of China, Peru, the Philippines, Poland, Portugal, Qatar, the Republic of Moldova, Romania, Russia, Rwanda, Samoa, San Marino, Sao Tome & Principe, Saudi Arabia, Senegal, Serbia, the Seychelles, Sierra Leone, Singapore, Slovakia, Slovenia, the Solomon Islands, Somalia, South Africa, South Korea, Spain, Sri Lanka, St. Kitts & Nevis, St. Lucia, St. Vincent and the Grenadines, Suriname, Swaziland, Sweden, Switzerland, Taiwan, Tajikistan, Tanzania, Thailand, Togo, Tonga, Trinidad & Tobago, Tunisia, Turkey, Turkmenistan, Tuvalu, Uganda, Ukraine, the United Arab Emirates, the United Kingdom, Uruguay, Uzbekistan, Vanuatu, Venezuela, Vietnam, Yemen, Zaire, Zambia, and Zimbabwe 	453730-002
	<ul style="list-style-type: none"> For use in Japan 	453730-291
(19)	Hard drive (includes hard drive bracket, hard drive connector, and Mylar cover)	
	500-GB, 7200-rpm	634934-001 or 574875-001
	320-GB, 7200-rpm	603783-001
	320-GB, 5400-rpm	622643-001
	160-GB, 7200-rpm	579045-001
	Hard Drive Hardware Kit (not illustrated; includes hard drive bracket, hard drive connector, and hard drive screws)	497744-001
(20)	Battery	
	8-cell, 73-Wh, 2.55-Ah, Li-ion	463650-003
	8-cell, 73-Wh, Li-ion for use in Japan	534133-291
	6-cell, 55-Wh, 2.55-Ah, Li-ion	441132-003
	4-cell, 37-Wh, 2.55-Ah, Li-ion (for use only with computer models equipped with the AMD Turion 64 processor)	441131-003

Plastics Kit



Item	Description	Spare part number
	Plastics Kit	487926-001
(1)	ExpressCard slot bezel	
(2)	Hard drive cover (includes 1 rubber foot and 2 captive screws, secured with C-clips)	
(3)	Display connector cover (includes 1 captive screw, secured with a C-clip)	
(4)	WLAN module compartment cover (includes 1 captive screw, secured with a C-clip)	
(5)	Memory module compartment cover (includes 2 captive screws, secured with C-clips)	

Mass storage devices



Item	Description	Spare part number
(1)	Hard drive (includes hard drive bracket, hard drive connector, and Mylar cover)	
	500-GB, 7200-rpm	634934-001 or 574875-001
	320-GB, 7200-rpm	603783-001
	320-GB, 5400-rpm	622643-001
	160-GB, 7200-rpm	579045-001
	Hard Drive Hardware Kit (includes hard drive bracket, hard drive connector, and hard drive screws)	497744-001
(2)	Optical drive (includes bezel and bracket)	
	DVD±RW and CD-RW SuperMulti Double-Layer Combo Drive with LightScribe	509073-001
	DVD±RW and CD-RW SuperMulti Double-Layer Combo Drive	509074-001
	Optical drive weight saving blank	518183-001

Miscellaneous parts

Description	Spare part number
65-watt AC adapter	613149-001
HP protective sleeve	504580-001 or 480105-001
HP Notebook Stand	466337-001
Remote control (fits into ExpressCard slot)	465539-002
Power cords:	
Argentina	490371-D01
Australia	490371-011
Brazil	490371-201 or 490371-202
Denmark	490371-081
Europe, the Middle East, and Africa (excluding South Africa)	490371-021
India	490371-D61
Israel	490371-BB1
Italy	490371-061
Japan	490371-291
North America	490371-001
The People's Republic of China	490371-AA1
South Africa	490371-AR1
South Korea	490371-AD1
Switzerland	490371-111
Taiwan	490371-AB1
The United Kingdom and Singapore	490371-031

Description	Spare part number
Screw Kit	464116-001
<ul style="list-style-type: none"> • Phillips PM3.0×3.0 screws • Phillips PM2.5×6.0 screws • Phillips PM2.0×11.0 screws • Black Phillips PM2.0×7.0 captive screws • Silver Phillips PM2.0×7.0 screws • Phillips PM2.0×5.0 captive screws • Phillips PM2.0×5.0 screws • Phillips PM2.0×4.0 captive screws • Phillips PM2.0×4.0 screws • Phillips PM2.0×3.0 screws 	
Wired headset with volume control	371693-003

Sequential part number listing

Spare part number	Description
371693-003	Wired headset with volume control
441131-003	4-cell, 37-Wh, 2.55-Ah, Li-ion battery (for use only with computer models equipped with the AMD Turion 64 processor)
441132-003	6-cell, 55-Wh, 2.55-Ah, Li-ion battery
441144-001	Audio/infrared board (includes audio/infrared board cable)
449729-001	RTC battery
453730-001	Broadcom 4321AGN 802.11a/b/g/draft-n mini-PCI adapter card for use in the United States and Canada

Spare part number	Description
453730-002	Broadcom 4321AGN 802.11a/b/g/draft-n mini-PCI adapter card for use in Afghanistan, Albania, Algeria, Andorra, Angola, Antigua & Barbuda, Argentina, Armenia, Aruba, Australia, Austria, Azerbaijan, the Bahamas, Bahrain, Bangladesh, Barbados, Belarus, Belgium, Belize, Benin, Bermuda, Bhutan, Bolivia, Bosnia & Herzegovina, Botswana, Brazil, the British Virgin Islands, Brunei, Bulgaria, Burkina Faso, Burundi, Cambodia, Cameroon, Cape Verde, the Central African Republic, Chad, Chile, Colombia, Comoros, the Congo, Costa Rica, Croatia, Cyprus, the Czech Republic, Denmark, Djibouti, Dominica, the Dominican Republic, East Timor, Ecuador, Egypt, El Salvador, Equatorial Guinea, Eritrea, Estonia, Ethiopia, Fiji, Finland, France, French Guiana, Gabon, Gambia, Georgia, Germany, Ghana, Gibraltar, Greece, Grenada, Guadeloupe, Guatemala, Guinea, Guinea-Bissau, Guyana, Haiti, Honduras, Hong Kong, Hungary, Iceland, India, Indonesia, Ireland, Israel, Italy, the Ivory Coast, Jamaica, Jordan, Kazakhstan, Kenya, Kiribati, Kuwait, Kyrgyzstan, Laos, Latvia, Lebanon, Lesotho, Liberia, Liechtenstein, Lithuania, Luxembourg, Macedonia, Madagascar, Malawi, Malaysia, the Maldives, Mali, Malta, the Marshall Islands, Martinique, Mauritania, Mauritius, Mexico, Micronesia, Monaco, Mongolia, Montenegro, Morocco, Mozambique, Namibia, Nauru, Nepal, the Nether Antilles, the Netherlands, New Zealand, Nicaragua, Niger, Nigeria, Norway, Oman, Palau, Panama, Papua New Guinea, Paraguay, the People's Republic of China, Peru, the Philippines, Poland, Portugal, Qatar, the Republic of Moldova, Romania, Russia, Rwanda, Samoa, San Marino, Sao Tome & Principe, Saudi Arabia, Senegal, Serbia, the Seychelles, Sierra Leone, Singapore, Slovakia, Slovenia, the Solomon Islands, Somalia, South Africa, South Korea, Spain, Sri Lanka, St. Kitts & Nevis, St. Lucia, St. Vincent and the Grenadines, Suriname, Swaziland, Sweden, Switzerland, Taiwan, Tajikistan, Tanzania, Thailand, Togo, Tonga, Trinidad & Tobago, Tunisia, Turkey, Turkmenistan, Tuvalu, Uganda, Ukraine, the United Arab Emirates, the United Kingdom, Uruguay, Uzbekistan, Vanuatu, Venezuela, Vietnam, Yemen, Zaire, Zambia, and Zimbabwe
453730-291	Broadcom 4321AGN 802.11a/b/g/draft-n mini-PCI adapter card for use in Japan
459263-001	Broadcom BCM4312 802.11b/g WLAN module for use in Canada, the Cayman Islands, Guam, Puerto Rico, the U.S. Virgin Islands, and the United States
459263-002	Broadcom BCM4312 802.11b/g WLAN module for use in Afghanistan, Albania, Algeria, Andorra, Angola, Antigua and Barbuda, Argentina, Armenia, Aruba, Australia, Austria, Azerbaijan, the Bahamas, Bahrain, Bangladesh, Barbados, Belgium, Belize, Benin, Bermuda, Bolivia, Bosnia and Herzegovina, Botswana, Brazil, the British Virgin Islands, Brunei, Bulgaria, Burkina Faso, Burundi, Cameroon, Cape Verde, the Cayman Islands, the Central African Republic, Chad, Chile, Colombia, Comoros, the Congo, Costa Rica, Croatia, Cyprus, the Czech Republic, Denmark, Djibouti, Dominica, the Dominican Republic, East Timor, Ecuador, Egypt, El Salvador, Equatorial Guinea, Eritrea, Estonia, Ethiopia, Fiji, Finland, France, French Guiana, Gabon, Gambia, Georgia, Germany, Ghana, Gibraltar, Greece, Guadeloupe, Guam, Guatemala, Guinea, Guinea-Bissau, Guyana, Haiti, Honduras, Hong Kong, Hungary, Iceland, India, Ireland, Italy, the Ivory Coast, Jamaica, Jordan, Kenya, Kiribati, Kyrgyzstan, Laos, Latvia, Lesotho, Liberia, Liechtenstein, Lithuania, Luxembourg, Macedonia, Madagascar, Malawi, the Maldives, Mali, Malta, the Marshall Islands, Martinique, Mauritania, Mauritius, Mexico, Micronesia, Monaco, Mongolia, Montenegro, Morocco, Mozambique, Namibia, Nauru, Nepal, the Netherlands, New Zealand, Nicaragua, Niger, Nigeria, Norway, Oman, Pakistan, Palau, Panama, Papua New Guinea, Paraguay, the People's Republic of China, Peru, the Philippines, Poland, Portugal, Puerto Rico, the Republic of Moldova, Romania, Russia, Rwanda, Samoa, San Marino, Sao Tome and Principe, Saudi Arabia, Senegal, Serbia, the Seychelles, Sierra Leone, Singapore, Slovakia, Slovenia, the Solomon Islands, Somalia, South Africa, Spain, Sri Lanka, St. Kitts and Nevis, St. Lucia, St. Vincent and the Grenadines, Suriname, Swaziland, Sweden, Switzerland, Taiwan, Tajikistan, Tanzania, Togo, Tonga, Trinidad and Tobago, Tunisia, Turkey, Turkmenistan, Tuvalu, Uganda, the United Arab Emirates, the United Kingdom, Uruguay, Uzbekistan, Venezuela, Vietnam, Yemen, Zaire, Zambia, and Zimbabwe
463650-003	8-cell, 73-Wh, 2.55-Ah, Li-ion battery
464116-001	Screw Kit
464821-001	Rubber Feet Kit (includes 4 base enclosure rubber feet and pen cover)
464824-001	Display Rubber Kit (includes 8 display bezel rubber screw covers)
465539-002	Remote control (fits into ExpressCard slot)
466337-001	HP Notebook Stand

Spare part number	Description
480105-001	HP Notebook Protective Sleeve
483113-001	Bluetooth module
487330-001	Broadcom 4322 802.11a/b/g/n WLAN module for use in Canada, the Cayman Islands, Guam, Puerto Rico, the U.S. Virgin Islands, and the United States
487330-002	Broadcom 4322 802.11a/b/g/n WLAN module for use in Afghanistan, Albania, Algeria, Andorra, Angola, Antigua and Barbuda, Argentina, Armenia, Aruba, Australia, Austria, Azerbaijan, the Bahamas, Bahrain, Bangladesh, Barbados, Belgium, Belize, Benin, Bermuda, Bolivia, Bosnia and Herzegovina, Botswana, Brazil, the British Virgin Islands, Brunei, Bulgaria, Burkina Faso, Burundi, Cameroon, Cape Verde, the Cayman Islands, the Central African Republic, Chad, Chile, Colombia, Comoros, the Congo, Costa Rica, Croatia, Cyprus, the Czech Republic, Denmark, Djibouti, Dominica, the Dominican Republic, East Timor, Ecuador, Egypt, El Salvador, Equatorial Guinea, Eritrea, Estonia, Ethiopia, Fiji, Finland, France, French Guiana, Gabon, Gambia, Georgia, Germany, Ghana, Gibraltar, Greece, Guadeloupe, Guam, Guatemala, Guinea, Guinea-Bissau, Guyana, Haiti, Honduras, Hong Kong, Hungary, Iceland, India, Ireland, Italy, the Ivory Coast, Jamaica, Jordan, Kenya, Kiribati, Kyrgyzstan, Laos, Latvia, Lesotho, Liberia, Liechtenstein, Lithuania, Luxembourg, Macedonia, Madagascar, Malawi, the Maldives, Mali, Malta, the Marshall Islands, Martinique, Mauritania, Mauritius, Mexico, Micronesia, Monaco, Mongolia, Montenegro, Morocco, Mozambique, Namibia, Nauru, Nepal, the Netherlands, New Zealand, Nicaragua, Niger, Nigeria, Norway, Oman, Pakistan, Palau, Panama, Papua New Guinea, Paraguay, the People's Republic of China, Peru, the Philippines, Poland, Portugal, Puerto Rico, the Republic of Moldova, Romania, Russia, Rwanda, Samoa, San Marino, Sao Tome and Principe, Saudi Arabia, Senegal, Serbia, the Seychelles, Sierra Leone, Singapore, Slovakia, Slovenia, the Solomon Islands, Somalia, South Africa, Spain, Sri Lanka, St. Kitts and Nevis, St. Lucia, St. Vincent and the Grenadines, Suriname, Swaziland, Sweden, Switzerland, Taiwan, Tajikistan, Tanzania, Togo, Tonga, Trinidad and Tobago, Tunisia, Turkey, Turkmenistan, Tuvalu, Uganda, the United Arab Emirates, the United Kingdom, Uruguay, Uzbekistan, Venezuela, Vietnam, Yemen, Zaire, Zambia, and Zimbabwe
487697-001	Bluetooth module cable
487925-001	Fan/heat sink assembly (includes replacement thermal material)
487926-001	Plastics Kit (see Plastics Kit on page 21 for Plastics Kit spare part information)
490371-001	Power cord for use in North America
490371-011	Power cord for use in Australia
490371-021	Power cord for use in Europe, the Middle East, and Africa (excluding South Africa)
490371-031	Power cord for use in the United Kingdom and Singapore
490371-061	Power cord for use in Italy
490371-081	Power cord for use in Denmark
490371-111	Power cord for use in Switzerland
490371-201	Power cord for use in Brazil
490371-202	Power cord for use in Brazil
490371-291	Power cord for use in Japan
490371-AA1	Power cord for use in the People's Republic of China
490371-AB1	Power cord for use in Taiwan
490371-AD1	Power cord for use in South Korea
490371-AR1	Power cord for use in South Africa
490371-BB1	Power cord for use in Israel

Spare part number	Description
490371-D01	Power cord for use in Argentina
490371-D61	Power cord for use in India
497744-001	Hard Drive Hardware Kit (includes hard drive bracket, hard drive connector, and hard drive screws)
504466-001	System board (includes replacement thermal material)
504467-001	12.1-inch, WXGA, BrightView touch-screen display assembly with Web camera, microphones, and WLAN antenna cables
504468-001	12.1-inch, WXGA, BrightView touch-screen display assembly with Web camera, microphones, fingerprint reader, and WLAN antenna cables
504580-001	HP protective sleeve
506052-001	AMD Athlon Dual-Core QL-62 2.00-GHz processor (512-KB L2 cache, 667-MHz FSB, includes replacement thermal material)
506053-001	AMD Athlon Dual-Core QL-64 2.10-GHz processor (512-KB L2 cache, 667-MHz FSB, includes replacement thermal material)
506824-001	Top cover (includes TouchPad and TouchPad cable, caps lock light board and cable, and top cover bumper pads)
506825-001	Base enclosure (includes optical drive release assembly, 2 battery release latches, and 4 rubber feet)
506826-001	Pen holder and pen eject assembly
506827-001	Switch cover (includes switch cover trim)
506828-001	Power switch assembly (includes power switch board cable and power switch board actuator)
507972-001	AMD Turion 64 Mobile Technology Ultra Dual-Core ZM-80 2.1-GHz processor (1-MB L2 cache, 800-MHz FSB, includes replacement thermal material)
507973-001	AMD Turion 64 Mobile Technology Ultra Dual-Core ZM-82 2.2-GHz processor (1-MB L2 cache, 800-MHz FSB, includes replacement thermal material)
507974-001	AMD Turion 64 Mobile Technology Ultra Dual-Core ZM-86 2.4-GHz processor (1-MB L2 cache, 800-MHz FSB, includes replacement thermal material)
507975-001	AMD Turion 64 Mobile Technology Ultra Dual-Core ZM-84 2.3-GHz processor (1-MB L2 cache, 800-MHz FSB, includes replacement thermal material)
507978-001	AMD Turion 64 Mobile Technology Dual-Core RM-72 2.1-GHz processor (1-MB L2 cache, 800-MHz FSB, includes replacement thermal material)
507979-001	AMD Turion 64 Mobile Technology Dual-Core RM-74 2.2-GHz processor (1-MB L2 cache, 800-MHz FSB, includes replacement thermal material)
508112-001	Keyboard for use in the United States
508112-031	Keyboard for use in the United Kingdom
508112-041	Keyboard for use in Germany
508112-051	Keyboard for use in France
508112-061	Keyboard for use in Italy
508112-071	Keyboard for use in Spain
508112-111	Keyboard for use in Switzerland
508112-121	Keyboard for use in Canada

Spare part number	Description
508112-131	Keyboard for use in Portugal
508112-141	Keyboard for use in Turkey
508112-161	Keyboard for use in Latin America
508112-171	Keyboard for use in Saudi Arabia
508112-201	Keyboard for use in Brazil
508112-251	Keyboard for use in Russia
508112-281	Keyboard for use in Thailand
508112-291	Keyboard for use in Japan
508112-A41	Keyboard for use in Belgium
508112-AB1	Keyboard for use in Taiwan
508112-AD1	Keyboard for use in South Korea
508112-B31	Keyboard for use in the Netherlands
508112-BB1	Keyboard for use in Israel
508112-DH1	Keyboard for use in Denmark, Finland, and Norway
509073-001	DVD±RW and CD-RW SuperMulti Double-Layer Combo Drive with LightScribe
509074-001	DVD±RW and CD-RW SuperMulti Double-Layer Combo Drive
516454-001	Pen
518183-001	Optical drive weight saving blank
532119-001	AMD Turion 64 Mobile Technology Ultra Dual-Core ZM-85 2.3-GHz processor (1-MB L2 cache, 800-MHz FSB, includes replacement thermal material)
532120-001	AMD Turion 64 Mobile Technology Dual-Core RM-75 2.2-GHz processor (1-MB L2 cache, 800-MHz FSB, includes replacement thermal material)
532121-001	AMD Athlon Dual-Core QL-65 2.10-GHz processor (512-KB L2 cache, 667-MHz FSB, includes replacement thermal material)
534133-291	8-cell, 73-Wh, Li-ion battery for use in Japan
572564-001	AMD Turion 64 Mobile Technology Dual-Core ZM-87 2.4-GHz processor (1-MB L2 cache, 800-MHz FSB, includes replacement thermal material)
572565-001	AMD Turion 64 Mobile Technology Dual-Core RM-77 2.3-GHz processor (1-MB L2 cache, 800-MHz FSB, includes replacement thermal material)
572566-001	AMD Athlon Dual-Core QL-66 2.20-GHz processor (512-KB L2 cache, 667-MHz FSB, includes replacement thermal material)
574875-001	500-GB, 7200-rpm hard drive (includes hard drive bracket, hard drive connector, and Mylar cover)
579045-001	160-GB, 7200-rpm hard drive (includes hard drive bracket, hard drive connector, and Mylar cover)
598855-001	4096-MB memory module (DDR2, PC2-6400, 800-MHz)
598858-001	2048-MB memory module (DDR2, PC2-6400, 800-MHz)
598861-001	1024-MB memory module (DDR2, PC2-6400, 800-MHz)

Spare part number	Description
613149-001	65-watt AC adapter
622643-001	320-GB, 5400-rpm hard drive (includes hard drive bracket, hard drive connector, and Mylar cover)
634256-001	Thermal pad kit
634934-001	500-GB, 7200-rpm hard drive (includes hard drive bracket, hard drive connector, and Mylar cover)

4 Removal and replacement procedures

Preliminary replacement requirements

Tools required

You will need the following tools to complete the removal and replacement procedures:

- Magnetic screwdriver
- Phillips P0 and P1 screwdrivers
- Flat-bladed screwdriver

Service considerations

The following sections include some of the considerations that you should keep in mind during disassembly and assembly procedures.



NOTE: As you remove each subassembly from the computer, place the subassembly (and all accompanying screws) away from the work area to prevent damage.

Plastic parts



CAUTION: Using excessive force during disassembly and reassembly can damage plastic parts. Use care when handling the plastic parts. Apply pressure only at the points designated in the maintenance instructions.

Cables and connectors

⚠ CAUTION: When servicing the computer, be sure that cables are placed in their proper locations during the reassembly process. Improper cable placement can damage the computer.

Cables must be handled with extreme care to avoid damage. Apply only the tension required to unseat or seat the cables during removal and insertion. Handle cables by the connector whenever possible. In all cases, avoid bending, twisting, or tearing cables. Be sure that cables are routed in such a way that they cannot be caught or snagged by parts being removed or replaced. Handle flex cables with extreme care; these cables tear easily.

Drive handling

⚠ CAUTION: Drives are fragile components that must be handled with care. To prevent damage to the computer, damage to a drive, or loss of information, observe these precautions:

Before removing or inserting a hard drive, shut down the computer. If you are unsure whether the computer is off or in Hibernation, turn the computer on, and then shut it down through the operating system.

Before handling a drive, be sure that you are discharged of static electricity. While handling a drive, avoid touching the connector.

Before removing a diskette drive or optical drive, be sure that a diskette or disc is not in the drive and be sure that the optical drive tray is closed.

Handle drives on surfaces covered with at least one inch of shock-proof foam.

Avoid dropping drives from any height onto any surface.

After removing a hard drive, an optical drive, or a diskette drive, place it in a static-proof bag.

Avoid exposing a hard drive to products that have magnetic fields, such as monitors or speakers.

Avoid exposing a drive to temperature extremes or liquids.

If a drive must be mailed, place the drive in a bubble pack mailer or other suitable form of protective packaging and label the package "FRAGILE."

Grounding guidelines

Electrostatic discharge damage

Electronic components are sensitive to electrostatic discharge (ESD). Circuitry design and structure determine the degree of sensitivity. Networks built into many integrated circuits provide some protection, but in many cases, ESD contains enough power to alter device parameters or melt silicon junctions.

A discharge of static electricity from a finger or other conductor can destroy static-sensitive devices or microcircuitry. Even if the spark is neither felt nor heard, damage may have occurred.

An electronic device exposed to ESD may not be affected at all and can work perfectly throughout a normal cycle. Or the device may function normally for a while, then degrade in the internal layers, reducing its life expectancy.

CAUTION: To prevent damage to the computer when you are removing or installing internal components, observe these precautions:

Keep components in their electrostatic-safe containers until you are ready to install them.

Use nonmagnetic tools.

Before touching an electronic component, discharge static electricity by using the guidelines described in this section.

Avoid touching pins, leads, and circuitry. Handle electronic components as little as possible.

If you remove a component, place it in an electrostatic-safe container.

The following table shows how humidity affects the electrostatic voltage levels generated by different activities.

CAUTION: A product can be degraded by as little as 700 V.

Typical electrostatic voltage levels			
Event	Relative humidity		
	10%	40%	55%
Walking across carpet	35,000 V	15,000 V	7,500 V
Walking across vinyl floor	12,000 V	5,000 V	3,000 V
Motions of bench worker	6,000 v	800 V	400 V
Removing DIPS from plastic tube	2,000 V	700 V	400 V
Removing DIPS from vinyl tray	11,500 V	4,000 V	2,000 V
Removing DIPS from Styrofoam	14,500 V	5,000 V	3,500 V
Removing bubble pack from PCB	26,500 V	20,000 V	7,000 V
Packing PCBs in foam-lined box	21,000 V	11,000 V	5,000 V

Packaging and transporting guidelines

Follow these grounding guidelines when packaging and transporting equipment:

- To avoid hand contact, transport products in static-safe tubes, bags, or boxes.
- Protect ESD-sensitive parts and assemblies with conductive or approved containers or packaging.
- Keep ESD-sensitive parts in their containers until the parts arrive at static-free workstations.
- Place items on a grounded surface before removing items from their containers.
- Always be properly grounded when touching a component or assembly.
- Store reusable ESD-sensitive parts from assemblies in protective packaging or nonconductive foam.
- Use transporters and conveyors made of antistatic belts and roller bushings. Be sure that mechanized equipment used for moving materials is wired to ground and that proper materials are selected to avoid static charging. When grounding is not possible, use an ionizer to dissipate electric charges.

Workstation guidelines

Follow these grounding workstation guidelines:

- Cover the workstation with approved static-shielding material.
- Use a wrist strap connected to a properly grounded work surface and use properly grounded tools and equipment.
- Use conductive field service tools, such as cutters, screwdrivers, and vacuums.
- When fixtures must directly contact dissipative surfaces, use fixtures made only of static-safe materials.
- Keep the work area free of nonconductive materials, such as ordinary plastic assembly aids and Styrofoam.
- Handle ESD-sensitive components, parts, and assemblies by the case or PCM laminate. Handle these items only at static-free workstations.
- Avoid contact with pins, leads, or circuitry.
- Turn off power and input signals before inserting or removing connectors or test equipment.

Equipment guidelines

Grounding equipment must include either a wrist strap or a foot strap at a grounded workstation.

- When seated, wear a wrist strap connected to a grounded system. Wrist straps are flexible straps with a minimum of one megohm $\pm 10\%$ resistance in the ground cords. To provide proper ground, wear a strap snugly against the skin at all times. On grounded mats with banana-plug connectors, use alligator clips to connect a wrist strap.
- When standing, use foot straps and a grounded floor mat. Foot straps (heel, toe, or boot straps) can be used at standing workstations and are compatible with most types of shoes or boots. On conductive floors or dissipative floor mats, use foot straps on both feet with a minimum of one megohm resistance between the operator and ground. To be effective, the conductive strips must be worn in contact with the skin.

The following grounding equipment is recommended to prevent electrostatic damage:


- Antistatic tape
- Antistatic smocks, aprons, and sleeve protectors
- Conductive bins and other assembly or soldering aids
- Nonconductive foam
- Conductive tabletop workstations with ground cords of one megohm resistance
- Static-dissipative tables or floor mats with hard ties to the ground
- Field service kits
- Static awareness labels
- Material-handling packages
- Nonconductive plastic bags, tubes, or boxes
- Metal tote boxes
- Electrostatic voltage levels and protective materials

The following table lists the shielding protection provided by antistatic bags and floor mats.

Material	Use	Voltage protection level
Antistatic plastic	Bags	1,500 V
Carbon-loaded plastic	Floor mats	7,500 V
Metallized laminate	Floor mats	5,000 V

Unknown user password

If the computer you are servicing has an unknown user password, follow these steps to clear the password.

 **NOTE:** These steps also clear CMOS.

Before disassembling the computer, follow these steps:

1. Shut down the computer. If you are unsure whether the computer is off or in Hibernation, turn the computer on, and then shut it down through the operating system.
2. Disconnect all external devices connected to the computer.
3. Disconnect the power cord.
4. Remove the battery (see [Battery on page 38](#)).
5. Remove the real-time clock (RTC) battery (see [RTC battery on page 42](#)).
6. Wait approximately 5 minutes.
7. Replace the RTC battery and reassemble the computer.
8. Connect AC power to the computer. Do not reinsert any batteries at this time.
9. Turn on the computer.

All passwords and all CMOS settings have been cleared.

Component replacement procedures

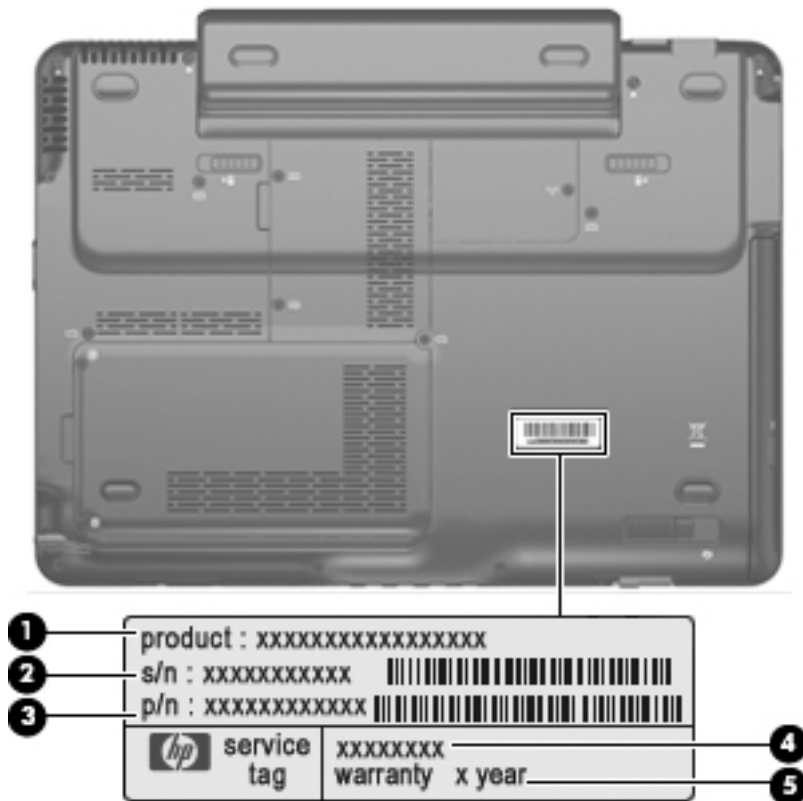
This chapter provides removal and replacement procedures.

There are as many as 47 screws, in 8 different sizes, that must be removed, replaced, or loosened when servicing the computer. Make special note of each screw size and location during removal and replacement.

Service tag

When ordering parts or requesting information, provide the computer serial number and model description provided on the service tag.

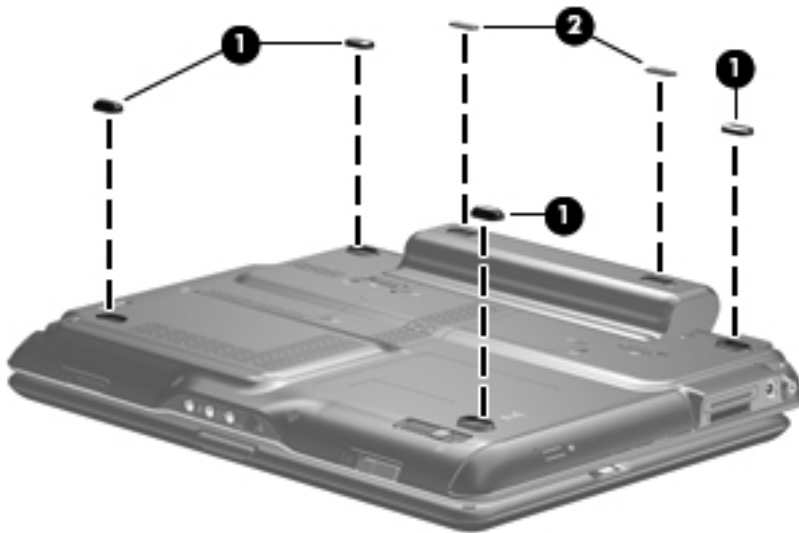
- (1) Product name: This is the product name affixed to the front of the computer.
- (2) Serial number (s/n): This is an alphanumeric identifier that is unique to each product.
- (3) Part number/Product number (p/n): This number provides specific information about the product's hardware components. The part number helps a service technician to determine what components and parts are needed.
- (4) Model description: This is the number used to locate documents, drivers, and support for the computer.
- (5) Warranty period: This number describes the duration of the warranty period for the computer.



Computer feet

Description	Spare part number
Rubber Feet Kit (includes 4 base enclosure rubber feet and pen cover)	464821-001

The computer feet are adhesive-backed rubber pads. There are four computer feet **(1)** that adhere to the computer base enclosure, and two computer feet **(2)** that adhere to the high-capacity battery.



Battery

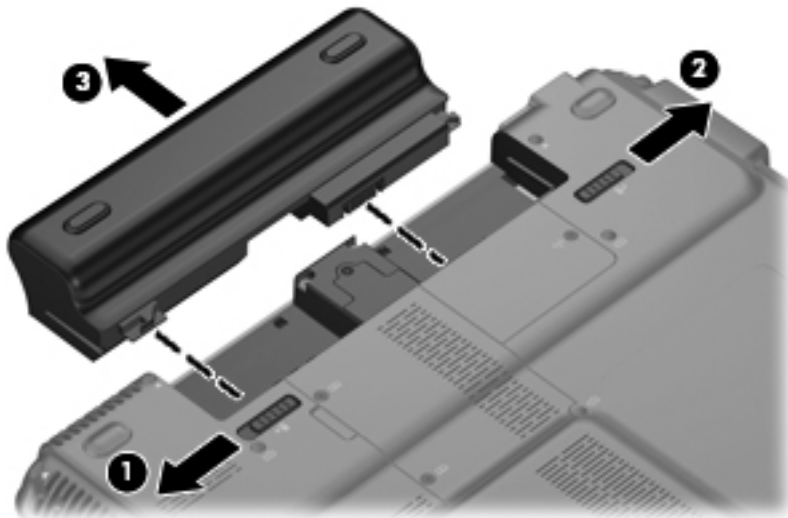
Description	Spare part number
8-cell, 73-Wh, 2.55-Ah, Li-ion battery	463650-003
8-cell, 73-Wh, Li-ion battery for use in Japan	534133-291
6-cell, 55-Wh, 2.55-Ah, Li-ion battery	441132-003
4-cell, 37-Wh, 2.55-Ah, Li-ion battery (for use only with computer models equipped with the AMD Turion 64 processor)	441131-003

Before disassembling the computer, follow these steps:

1. Shut down the computer. If you are unsure whether the computer is off or in Hibernation, turn the computer on, and then shut it down through the operating system.
2. Disconnect all external devices connected to the computer.
3. Disconnect the power cord.

Remove the battery:

1. Turn the computer upside down, with the rear panel toward you.
2. Slide the battery lock latch **(1)** to your right, and then release it. (The battery disengages from the computer.)
3. Slide the battery release latch **(2)** to your left, and then release it.
4. Remove the battery **(3)** by sliding it straight back.



To install a battery, slide the battery into the battery bay until you hear a click.

Pen

Description	Spare part number
Pen	516454-001

Before removing the pen, follow these steps:

1. Shut down the computer. If you are unsure whether the computer is off or in Hibernation, turn the computer on, and then shut it down through the operating system.
2. Disconnect all external devices connected to the computer.
3. Disconnect the power cord.
4. Remove the battery (see [Battery on page 38](#)).


Remove the pen:

1. Position the computer with the left side toward you.
2. Press in on the pen (1) to release it from the pen holder.
3. Remove the pen (2) from the pen holder.



Reverse this procedure to install the pen.

Hard drive

 **NOTE:** The hard drive spare part kit includes a hard drive bracket, hard drive connector, and Mylar cover.

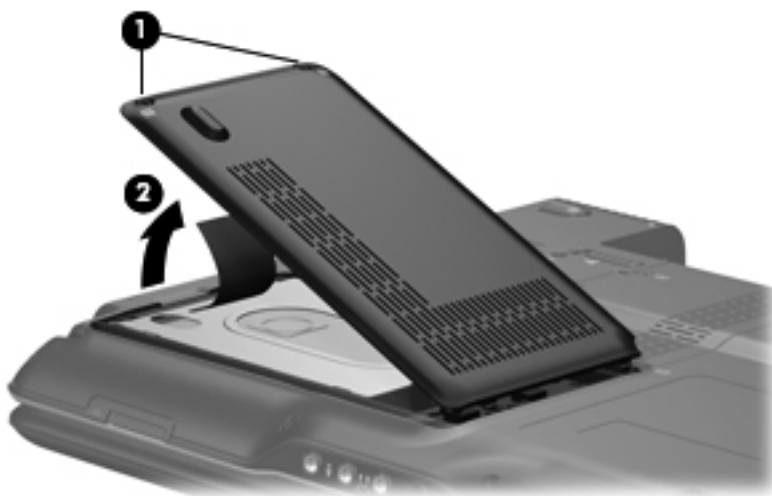
Description	Spare part number
500-GB, 7200-rpm	634934-001 or 574875-001
320-GB, 7200-rpm	603783-001
320-GB, 5400-rpm	622643-001
160-GB, 7200-rpm	579045-001
Hard Drive Hardware Kit (includes hard drive bracket, hard drive connector, and hard drive screws)	497744-001

Before removing the hard drive, follow these steps:


1. Shut down the computer. If you are unsure whether the computer is off or in Hibernation, turn the computer on, and then shut it down through the operating system.
2. Disconnect all external devices connected to the computer.
3. Disconnect the power cord.
4. Remove the battery (see [Battery on page 38](#)).

Remove the hard drive:

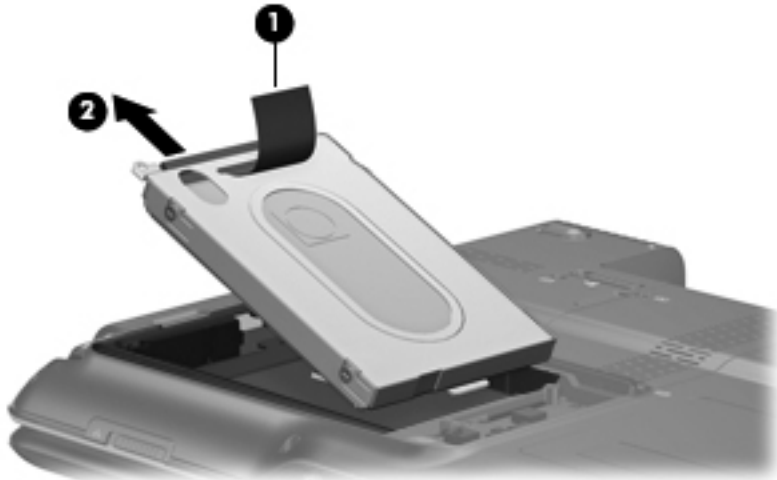
1. Position the computer with the front toward you.
2. Loosen the two Phillips PM2.0×5.0 captive screws (1) that secure the hard drive cover to the computer.
3. Lift the left side of the hard drive cover (2) and swing it to right.



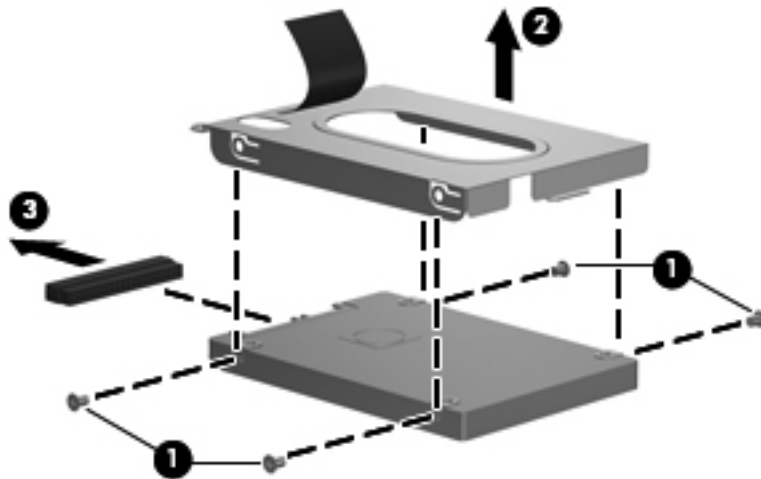
4. Remove the hard drive cover.

 **NOTE:** The hard drive cover is included in the Plastics Kit, spare part number 487926-001.

5. Grasp the Mylar tab (1) on the hard drive and lift the hard drive to disconnect it from the system board.
6. Remove the hard drive (2) from the hard drive bay.




7. If it is necessary to remove the hard drive bracket and connector, remove the two Phillips PM3.0×3.0 hard drive bracket screws (1) from each side of the hard drive.
8. Lift the bracket (2) straight up to remove it from the hard drive.
9. Remove the connector (3) from the hard drive.



Reverse this procedure to reassemble and install the hard drive.

RTC battery

 **NOTE:** Removing the RTC battery and leaving it uninstalled for 5 or more minutes causes all passwords and CMOS settings to be cleared.

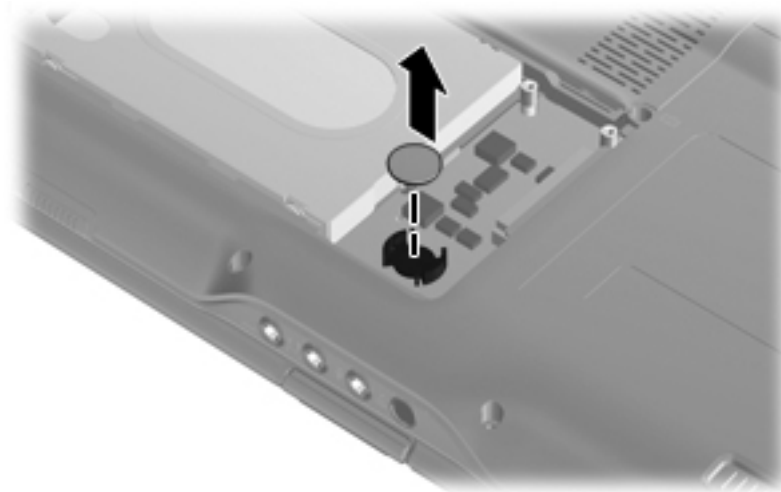
Description	Spare part number
RTC battery	449729-001

Before removing the RTC battery, follow these steps:

1. Shut down the computer. If you are unsure whether the computer is off or in Hibernation, turn the computer on, and then shut it down through the operating system.
2. Disconnect all external devices connected to the computer.
3. Disconnect the power cord.
4. Remove the battery (see [Battery on page 38](#)).
5. Remove the hard drive cover (see [Hard drive on page 40](#)).

Remove the RTC battery:

- ▲ Use a non-conductive, flat-bladed tool to pry the RTC battery out of the socket.



Reverse this procedure to install the RTC battery. Be sure the RTC battery is installed with the “+” sign facing up.

Optical drive



NOTE: The optical drive spare part kit includes an optical drive bezel.

Description	Spare part number
DVD±RW and CD-RW SuperMulti Double-Layer Combo Drive with LightScribe	509073-001
DVD±RW and CD-RW SuperMulti Double-Layer Combo Drive	509074-001
Optical drive weight saving blank	518183-001

Before removing the optical drive, follow these steps:

1. Shut down the computer. If you are unsure whether the computer is off or in Hibernation, turn the computer on, and then shut it down through the operating system.
2. Disconnect all external devices connected to the computer.
3. Disconnect the power cord.
4. Remove the battery (see [Battery on page 38](#)).

Remove the optical drive:

1. Position the computer with the right side toward you.
2. Slide the optical drive release latch **(1)** toward you. (The optical drive is partially ejected from the optical drive bay.)
3. Remove the optical drive **(2)** from the computer.



To install an optical drive, slide the optical drive into the optical drive bay until you hear a click.

Memory module

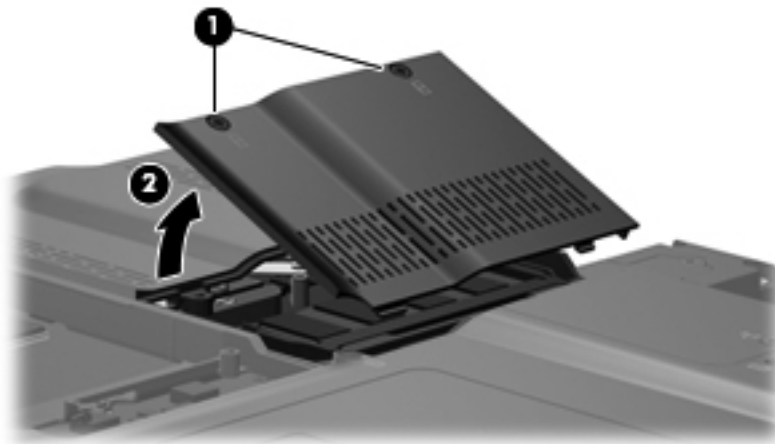
Description	Spare part number
4096-MB (DDR2, PC2-6400, 800-MHz)	598855-001
2048-MB (DDR2, PC2-6400, 800-MHz)	598858-001
1024-MB (DDR2, PC2-6400, 800-MHz)	598861-001

Before removing the memory module, follow these steps:

1. Shut down the computer. If you are unsure whether the computer is off or in Hibernation, turn the computer on, and then shut it down through the operating system.
2. Disconnect all external devices connected to the computer.
3. Disconnect the power cord.
4. Remove the battery (see [Battery on page 38](#)).

Remove the memory module:

1. Position the computer with the front toward you.
2. Loosen the two Phillips PM2.0×5.0 captive screws **(1)** that secure the memory module compartment cover to the computer.
3. Lift the left side of the cover **(2)** and swing it to the right.




4. Remove the memory module compartment cover.

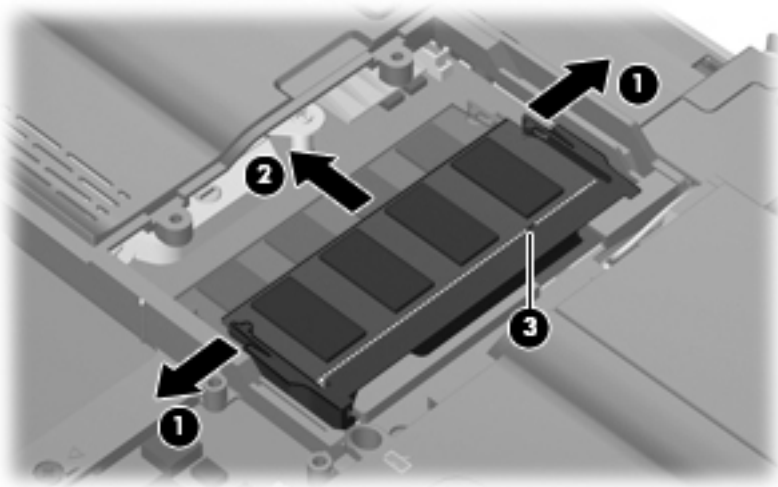


NOTE: The memory module compartment cover is included in the Plastics Kit, spare part number 487926-001.

5. Spread the retaining tabs **(1)** on each side of the memory module slot to release the memory module. (The edge of the module opposite the slot rises away from the computer.)

6. Pull the module (2) away from the slot at an angle and remove it.

 **NOTE:** Memory modules are designed with a notch (3) to prevent incorrect insertion into the memory module slot.



Reverse this procedure to install a memory module.

WLAN module

Description	Spare part number
Broadcom 4322 802.11a/b/g/n WLAN modules:	
<ul style="list-style-type: none"> For use in Canada, the Cayman Islands, Guam, Puerto Rico, the U.S. Virgin Islands, and the United States 	487330-001
<ul style="list-style-type: none"> For use in Afghanistan, Albania, Algeria, Andorra, Angola, Antigua and Barbuda, Argentina, Armenia, Aruba, Australia, Austria, Azerbaijan, the Bahamas, Bahrain, Bangladesh, Barbados, Belgium, Belize, Benin, Bermuda, Bolivia, Bosnia and Herzegovina, Botswana, Brazil, the British Virgin Islands, Brunei, Bulgaria, Burkina Faso, Burundi, Cameroon, Cape Verde, the Cayman Islands, the Central African Republic, Chad, Chile, Colombia, Comoros, the Congo, Costa Rica, Croatia, Cyprus, the Czech Republic, Denmark, Djibouti, Dominica, the Dominican Republic, East Timor, Ecuador, Egypt, El Salvador, Equatorial Guinea, Eritrea, Estonia, Ethiopia, Fiji, Finland, France, French Guiana, Gabon, Gambia, Georgia, Germany, Ghana, Gibraltar, Greece, Guadeloupe, Guam, Guatemala, Guinea, Guinea-Bissau, Guyana, Haiti, Honduras, Hong Kong, Hungary, Iceland, India, Ireland, Italy, the Ivory Coast, Jamaica, Jordan, Kenya, Kiribati, Kyrgyzstan, Laos, Latvia, Lesotho, Liberia, Liechtenstein, Lithuania, Luxembourg, Macedonia, Madagascar, Malawi, the Maldives, Mali, Malta, the Marshall Islands, Martinique, Mauritania, Mauritius, Mexico, Micronesia, Monaco, Mongolia, Montenegro, Morocco, Mozambique, Namibia, Nauru, Nepal, the Netherlands, New Zealand, Nicaragua, Niger, Nigeria, Norway, Oman, Pakistan, Palau, Panama, Papua New Guinea, Paraguay, the People's Republic of China, Peru, the Philippines, Poland, Portugal, Puerto Rico, the Republic of Moldova, Romania, Russia, Rwanda, Samoa, San Marino, Sao Tome and Principe, Saudi Arabia, Senegal, Serbia, the Seychelles, Sierra Leone, Singapore, Slovakia, Slovenia, the Solomon Islands, Somalia, South Africa, Spain, Sri Lanka, St. Kitts and Nevis, St. Lucia, St. Vincent and the Grenadines, Suriname, Swaziland, Sweden, Switzerland, Taiwan, Tajikistan, Tanzania, Togo, Tonga, Trinidad and Tobago, Tunisia, Turkey, Turkmenistan, Tuvalu, Uganda, the United Arab Emirates, the United Kingdom, Uruguay, Uzbekistan, Venezuela, Vietnam, Yemen, Zaire, Zambia, and Zimbabwe 	487330-002
Broadcom BCM4312 802.11b/g WLAN modules:	
<ul style="list-style-type: none"> For use in Canada, the Cayman Islands, Guam, Puerto Rico, the U.S. Virgin Islands, and the United States 	459263-001
<ul style="list-style-type: none"> For use in Afghanistan, Albania, Algeria, Andorra, Angola, Antigua and Barbuda, Argentina, Armenia, Aruba, Australia, Austria, Azerbaijan, the Bahamas, Bahrain, Bangladesh, Barbados, Belgium, Belize, Benin, Bermuda, Bolivia, Bosnia and Herzegovina, Botswana, Brazil, the British Virgin Islands, Brunei, Bulgaria, Burkina Faso, Burundi, Cameroon, Cape Verde, the Cayman Islands, the Central African Republic, Chad, Chile, Colombia, Comoros, the Congo, Costa Rica, Croatia, Cyprus, the Czech Republic, Denmark, Djibouti, Dominica, the Dominican Republic, East Timor, Ecuador, Egypt, El Salvador, Equatorial Guinea, Eritrea, Estonia, Ethiopia, Fiji, Finland, France, French Guiana, Gabon, Gambia, Georgia, Germany, Ghana, Gibraltar, Greece, Guadeloupe, Guam, Guatemala, Guinea, Guinea-Bissau, Guyana, Haiti, Honduras, Hong Kong, Hungary, Iceland, India, Ireland, Italy, the Ivory Coast, Jamaica, Jordan, Kenya, Kiribati, Kyrgyzstan, Laos, Latvia, Lesotho, Liberia, Liechtenstein, Lithuania, Luxembourg, Macedonia, Madagascar, Malawi, the Maldives, Mali, Malta, the Marshall Islands, Martinique, Mauritania, Mauritius, Mexico, Micronesia, Monaco, Mongolia, Montenegro, Morocco, Mozambique, Namibia, Nauru, Nepal, the Netherlands, New Zealand, Nicaragua, Niger, Nigeria, Norway, Oman, Pakistan, Palau, Panama, Papua New Guinea, Paraguay, the People's Republic of China, Peru, the Philippines, Poland, Portugal, Puerto Rico, the Republic of Moldova, Romania, Russia, Rwanda, Samoa, San Marino, Sao Tome and Principe, Saudi Arabia, Senegal, Serbia, the Seychelles, Sierra Leone, Singapore, Slovakia, Slovenia, the Solomon Islands, Somalia, South Africa, Spain, Sri Lanka, St. Kitts and Nevis, St. Lucia, St. Vincent and the Grenadines, Suriname, Swaziland, Sweden, Switzerland, Taiwan, Tajikistan, Tanzania, Togo, Tonga, Trinidad and Tobago, Tunisia, Turkey, Turkmenistan, Tuvalu, Uganda, the United Arab Emirates, the United Kingdom, Uruguay, Uzbekistan, Venezuela, Vietnam, Yemen, Zaire, Zambia, and Zimbabwe 	459263-002

Description	Spare part number
Broadcom 4321AGN 802.11a/b/g/draft-n mini-PCI adapter card	
<ul style="list-style-type: none"> For use in the United States and Canada 	453730-001
<ul style="list-style-type: none"> For use in Afghanistan, Albania, Algeria, Andorra, Angola, Antigua & Barbuda, Argentina, Armenia, Aruba, Australia, Austria, Azerbaijan, the Bahamas, Bahrain, Bangladesh, Barbados, Belarus, Belgium, Belize, Benin, Bermuda, Bhutan, Bolivia, Bosnia & Herzegovina Botswana, Brazil, the British Virgin Islands, Brunei, Bulgaria, Burkina Faso, Burundi, Cambodia, Cameroon, Cape Verde, the Central African Republic, Chad, Chile, Colombia, Comoros, the Congo, Costa Rica, Croatia, Cyprus, the Czech Republic, Denmark, Djibouti, Dominica, the Dominican Republic, East Timor, Ecuador, Egypt, El Salvador, Equatorial Guinea, Eritrea, Estonia, Ethiopia, Fiji, Finland, France, French Guiana, Gabon, Gambia, Georgia, Germany, Ghana, Gibraltar, Greece, Grenada, Guadeloupe, Guatemala, Guinea, Guinea-Bissau, Guyana, Haiti, Honduras, Hong Kong, Hungary, Iceland, India, Indonesia, Ireland, Israel, Italy, the Ivory Coast, Jamaica, Jordan, Kazakhstan, Kenya, Kiribati, Kuwait, Kyrgyzstan, Laos, Latvia, Lebanon, Lesotho, Liberia, Liechtenstein, Lithuania, Luxembourg, Macedonia, Madagascar, Malawi, Malaysia, the Maldives, Mali, Malta, the Marshall Islands, Martinique, Mauritania, Mauritius, Mexico, Micronesia, Monaco, Mongolia, Montenegro, Morocco, Mozambique, Namibia, Nauru, Nepal, the Nether Antilles, the Netherlands, New Zealand, Nicaragua, Niger, Nigeria, Norway, Oman, Palau, Panama, Papua New Guinea, Paraguay, the People's Republic of China, Peru, the Philippines, Poland, Portugal, Qatar, the Republic of Moldova, Romania, Russia, Rwanda, Samoa, San Marino, Sao Tome & Principe, Saudi Arabia, Senegal, Serbia, the Seychelles, Sierra Leone, Singapore, Slovakia, Slovenia, the Solomon Islands, Somalia, South Africa, South Korea, Spain, Sri Lanka, St. Kitts & Nevis, St. Lucia, St. Vincent and the Grenadines, Suriname, Swaziland, Sweden, Switzerland, Taiwan, Tajikistan, Tanzania, Thailand, Togo, Tonga, Trinidad & Tobago, Tunisia, Turkey, Turkmenistan, Tuvalu, Uganda, Ukraine, the United Arab Emirates, the United Kingdom, Uruguay, Uzbekistan, Vanuatu, Venezuela, Vietnam, Yemen, Zaire, Zambia, and Zimbabwe 	453730-002
<ul style="list-style-type: none"> For use in Japan 	453730-291

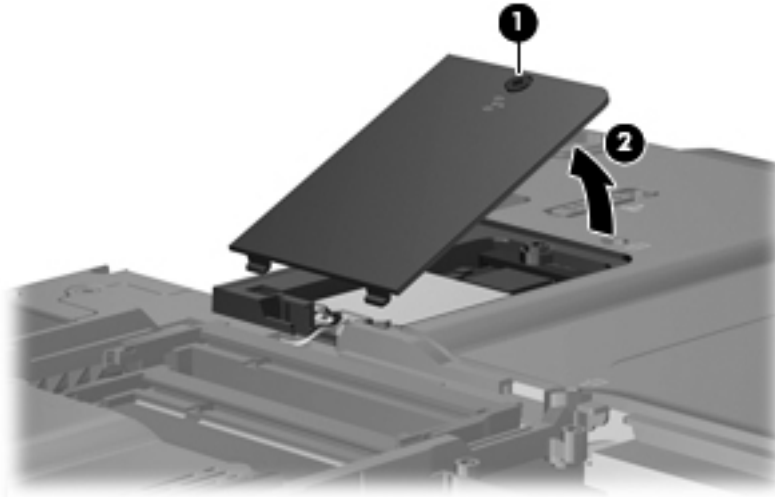
Before removing the WLAN module, follow these steps:

1. Shut down the computer. If you are unsure whether the computer is off or in Hibernation, turn the computer on, and then shut it down through the operating system.
2. Disconnect all external devices connected to the computer.
3. Disconnect the power cord.
4. Remove the battery (see [Battery on page 38](#)).


Remove the WLAN module:

1. Position the computer with the front toward you.
2. Loosen the Phillips PM2.0×5.0 captive screw **(1)** that secures the WLAN module compartment cover to the computer.


3. Lift the right side of the WLAN module compartment cover (2) and swing it to the left.



4. Remove the WLAN module compartment cover.


 **NOTE:** The WLAN module compartment cover is included in the Plastics Kit, spare part number 487926-001.

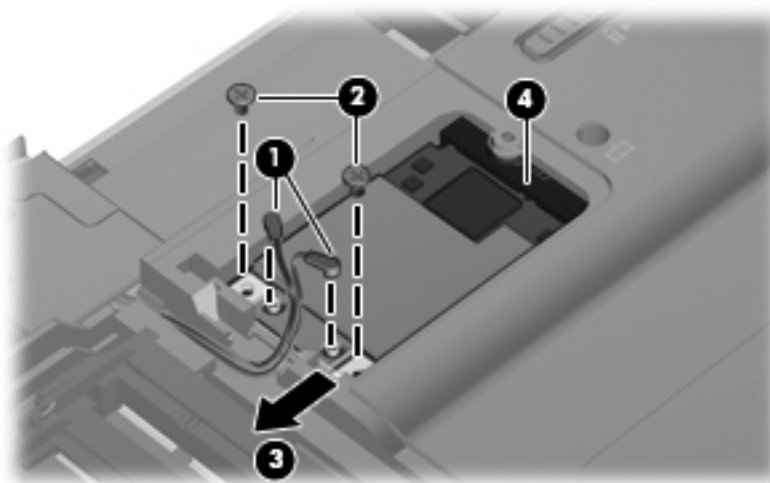
5. Disconnect the WLAN antenna cables (1) from the WLAN module.

 **NOTE:** The black WLAN antenna cable is connected to the WLAN module “Main” terminal. The white WLAN antenna cable is connected to the WLAN module “Aux” terminal.

6. Remove the two Phillips PM2.0×3.0 screws (2) that secure the WLAN module to the computer. (The edge of the module opposite the slot rises away from the computer.)

7. Pull the WLAN module (3) away from the slot at an angle and remove it.

 **NOTE:** WLAN modules are designed with a notch (4) to prevent incorrect insertion into the WLAN module slot.



Reverse this procedure to install a WLAN module.

Keyboard

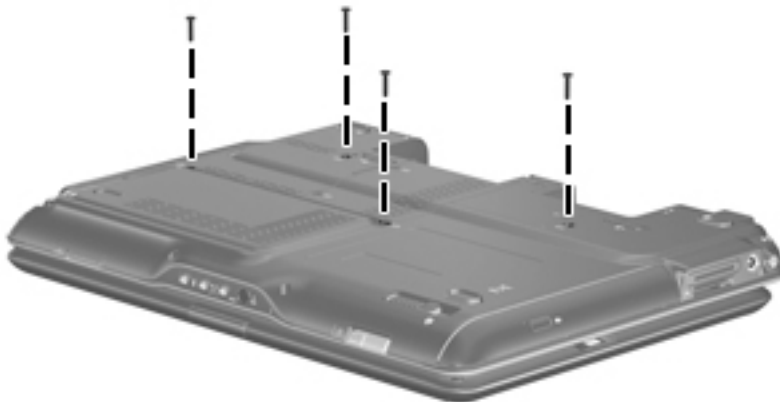
Description			
Country or region	Spare part number	Country or region	Spare part number
Belgium	508112-A41	Portugal	508112-131
Brazil	508112-201	Russia	508112-251
Canada	508112-121	Saudi Arabia	508112-171
Denmark, Finland, and Norway	508112-DH1	South Korea	508112-AD1
France	508112-051	Spain	508112-071
Germany	508112-041	Switzerland	508112-111
Israel	508112-BB1	Taiwan	508112-AB1
Italy	508112-061	Thailand	508112-281
Japan	508112-291	Turkey	508112-141
Latin America	508112-161	The United Kingdom	508112-031
The Netherlands	508112-B31	The United States	508112-001

Before removing the keyboard, follow these steps:

1. Shut down the computer. If you are unsure whether the computer is off or in Hibernation, turn the computer on, and then shut it down through the operating system.
2. Disconnect all external devices connected to the computer.
3. Disconnect the power cord.
4. Remove the battery (see [Battery on page 38](#)).

Remove the keyboard:

1. Position the computer with the front toward you.
2. Remove the four Phillips PM2.0×11.0 screws that secure the keyboard to the computer.

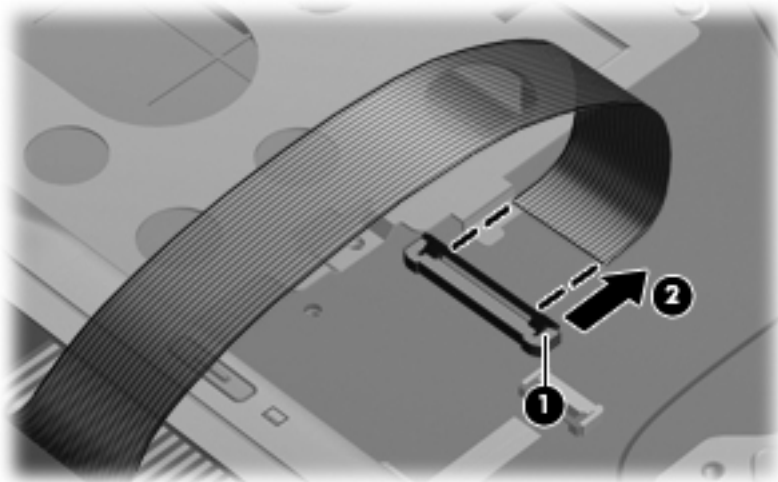


3. Turn the computer display-side up, with the front toward you.

4. Open the computer.
5. Lift the rear edge of the keyboard and swing it toward you until it rests on the palm rest.



6. Release the zero insertion force (ZIF) connector (1) to which the keyboard cable is attached and disconnect the keyboard cable (2).



7. Remove the keyboard.

Reverse this procedure to install the keyboard.

Switch cover

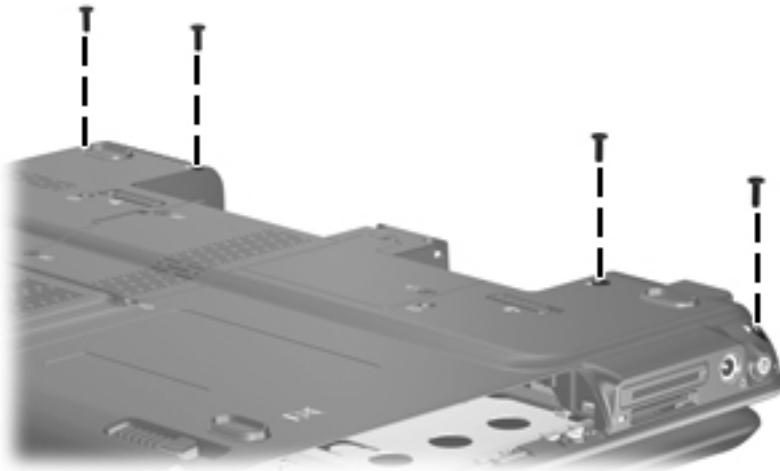
Description	Spare part number
Switch cover (includes display convertible hinge base cover)	506827-001

Before removing the switch cover, follow these steps:

1. Shut down the computer. If you are unsure whether the computer is off or in Hibernation, turn the computer on, and then shut it down through the operating system.
2. Disconnect all external devices connected to the computer.
3. Disconnect the power cord.
4. Remove the battery (see [Battery on page 38](#)).
5. Remove the keyboard (see [Keyboard on page 49](#)).

Remove the switch cover:

1. Turn the computer upside down, with the front toward you.
2. Remove the four Phillips PM2.0×7.0 screws that secure the switch cover to the computer.



3. Turn the computer display-side up, with the front toward you.
4. Open the computer.

5. Rotate the display clockwise approximately 45 degrees.



6. Lift the left and right front corners of the switch cover (1) until it disengages from the computer.
7. Rotate the switch cover (2) counterclockwise and remove it from the computer.



Reverse this procedure to install the switch cover.

Display assembly

Description	Spare part number
12.1-inch, WXGA, BrightView touch-screen display assembly with Web camera, fingerprint reader, microphones, and WLAN antenna cables	504468-001
12.1-inch, WXGA, BrightView touch-screen display assembly with Web camera, microphones, and WLAN antenna cables	504467-001

Before removing the display assembly, follow these steps:

1. Shut down the computer. If you are unsure whether the computer is off or in Hibernation, turn the computer on, and then shut it down through the operating system.
2. Disconnect all external devices connected to the computer.
3. Disconnect the power cord.
4. Remove the battery (see [Battery on page 38](#)).
5. Remove the memory module compartment cover (see [Memory module on page 44](#)).
6. Remove the WLAN module compartment cover and disconnect the wireless antenna cables from the WLAN module (see [WLAN module on page 46](#)).
7. Remove the keyboard (see [Keyboard on page 49](#)).
8. Remove the switch cover (see [Switch cover on page 51](#)).

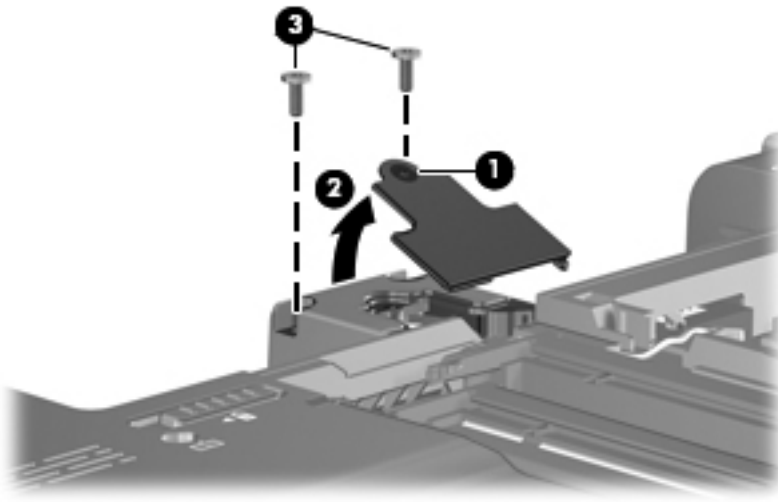
Remove the display assembly:

1. Close the computer and turn it upside down, with the front toward you.
2. Loosen the Phillips PM2.0×5.0 captive screw **(1)** that secures the display connector cover to the computer.
3. Lift the rear edge of the display connector cover **(2)** and swing it toward you.
4. Remove the display connector cover.

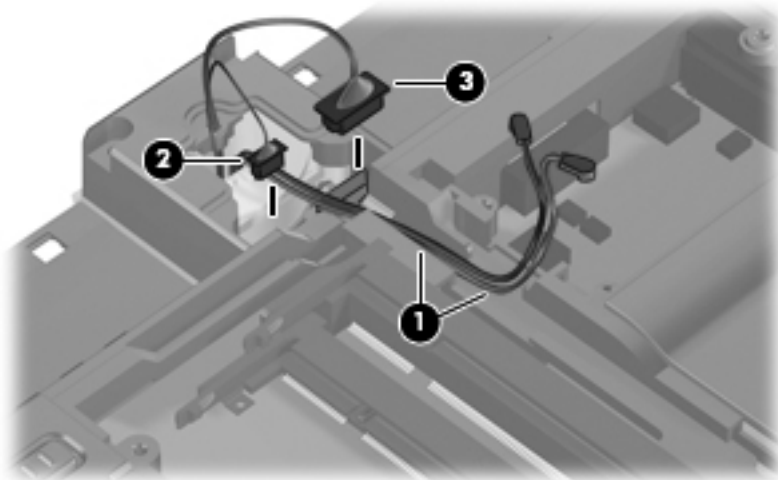


NOTE: The display connector cover is included in the Plastics Kit, spare part number 487926-001.

5. Remove the two Phillips PM2.5×6.0 screws (3) that secure the display assembly to the computer.



6. Remove the wireless antenna cables (1) from the routing channel built into the base enclosure.
7. Disconnect the camera cable (2) and the microphone cable (3) from the system board.

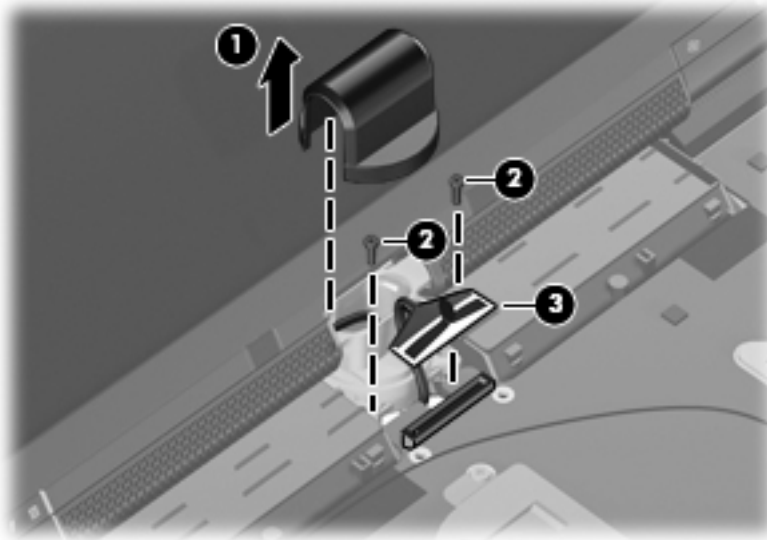


8. Turn the computer display-side up, with the front toward you.
9. Open the computer.
10. Remove the display convertible hinge cover (1).

CAUTION: Support the display assembly when removing the following screws. Failure to support the display assembly can result in damage to the display assembly and other computer components.

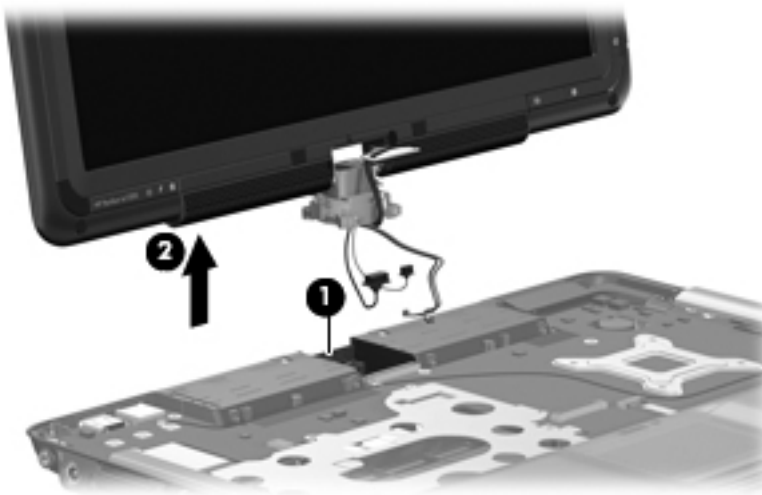
11. Remove the two Phillips PM2.5×6.0 screws (2) that secure the display assembly to the computer.

12. Disconnect the display panel cable (3) from the system board.



NOTE: As you remove the display assembly, be sure that the display cables and wireless antenna cables move cleanly through the opening (1) in the computer.

13. Lift the display (2) straight up and remove it.



Reverse this procedure to install the display assembly.

Top cover

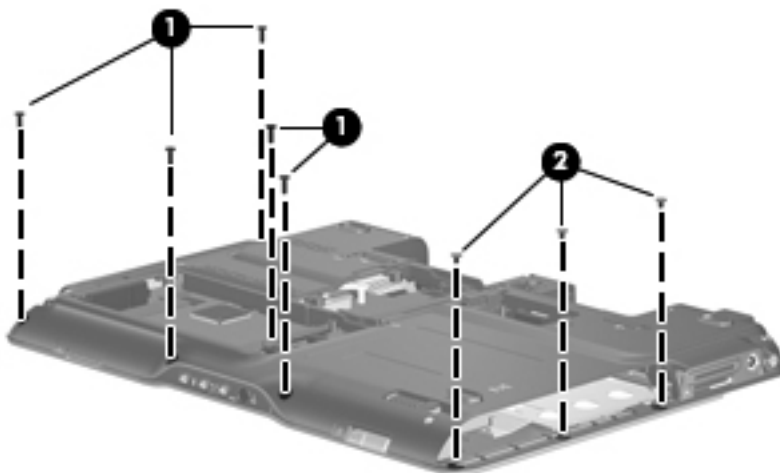
Description	Spare part number
Top cover (includes TouchPad and TouchPad cable, caps lock light board and cable, and top cover bumper pads)	506824-001

Before removing the top cover, follow these steps:

1. Shut down the computer. If you are unsure whether the computer is off or in Hibernation, turn the computer on, and then shut it down through the operating system.
2. Disconnect all external devices connected to the computer.
3. Disconnect the power cord.
4. Remove the battery (see [Battery on page 38](#)).
5. Remove the following components:
 - a. Hard drive (see [Hard drive on page 40](#))
 - b. Optical drive (see [Optical drive on page 43](#))
 - c. Keyboard (see [Keyboard on page 49](#))
 - d. Switch cover (see [Switch cover on page 51](#))
 - e. Display assembly (see [Display assembly on page 53](#))

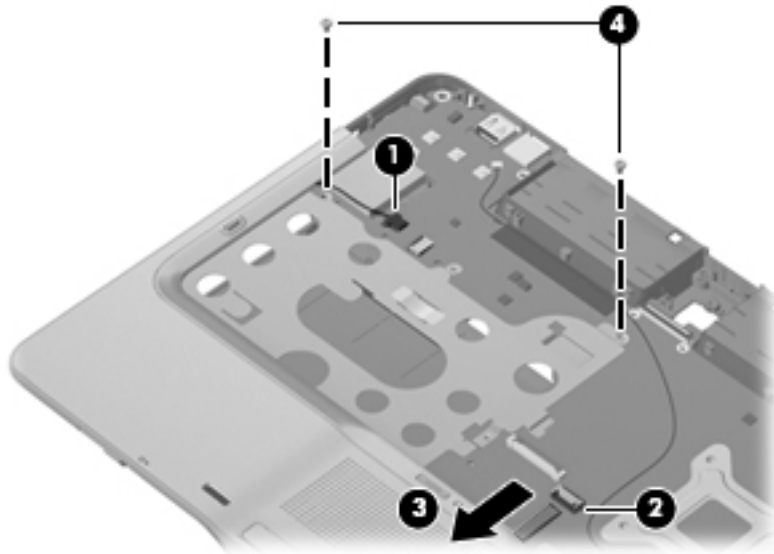
Remove the top cover:

1. Turn the computer upside down, with the front toward you.
2. Remove the five Phillips PM2.0×7.0 screws (1) and the three Phillips PM2.0×4.0 screws (2) that secure the top cover to the computer.

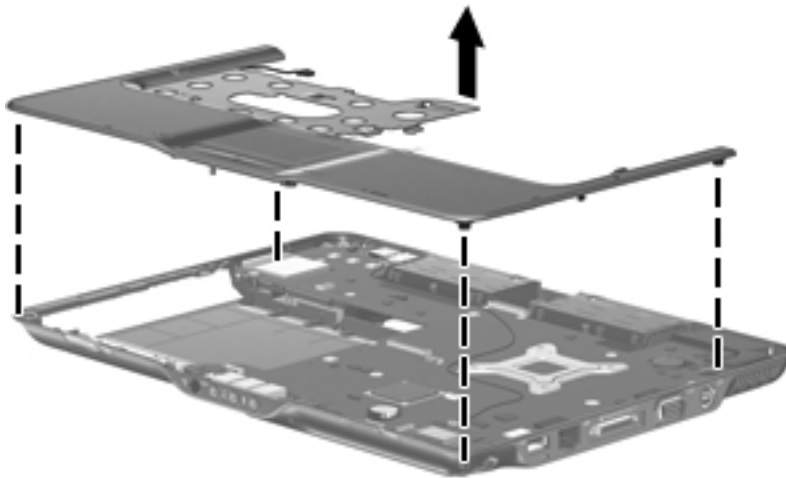


3. Turn the computer right-side up, with the front toward you.
4. Disconnect the display lid switch board cable (1) from the system board.

5. Release the ZIF connector (2) to which the TouchPad cable is connected and disconnect the TouchPad cable (3).
6. Remove the two Phillips PM2.0×4.0 screws (4) that secure the top cover to the base enclosure.



7. Lift the top cover straight up and remove it.



Reverse this procedure to install the top cover.

Power switch assembly

Description	Spare part number
Power switch assembly (includes power switch board cable and actuator switch)	506828-001


Before removing the power switch assembly, follow these steps:

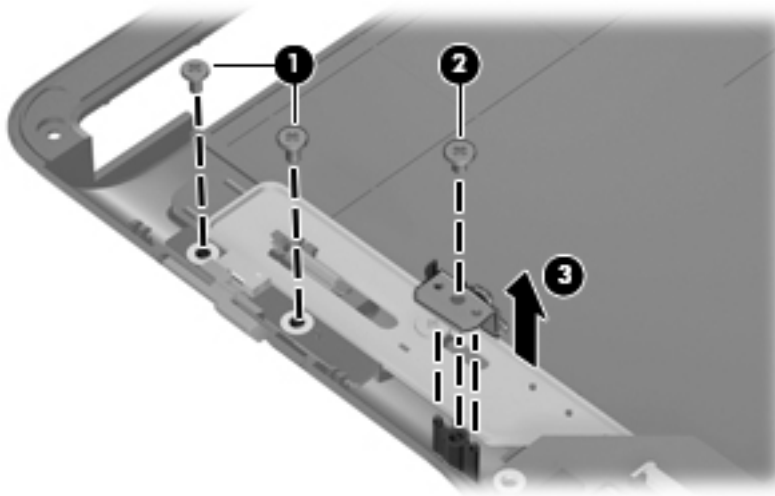
1. Shut down the computer. If you are unsure whether the computer is off or in Hibernation, turn the computer on, and then shut it down through the operating system.
2. Disconnect all external devices connected to the computer.
3. Disconnect the power cord.
4. Remove the battery (see [Battery on page 38](#)).
5. Remove the following components:
 - a. Hard drive (see [Hard drive on page 40](#))
 - b. Optical drive (see [Optical drive on page 43](#))
 - c. Keyboard (see [Keyboard on page 49](#))
 - d. Switch cover (see [Switch cover on page 51](#))
 - e. Display assembly (see [Display assembly on page 53](#))
 - f. Top cover (see [Top cover on page 56](#))

Remove the power switch assembly:

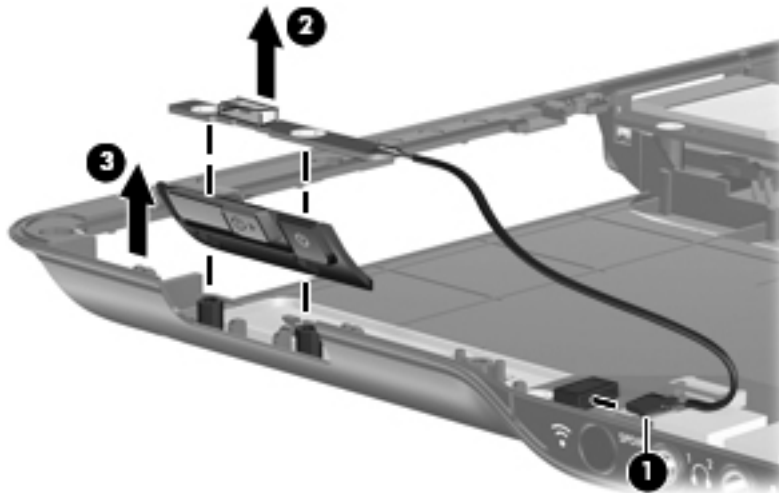
1. Remove the two Phillips PM2.0×4.0 screws **(1)** that secure the power switch board to the base enclosure.
2. Remove the Phillips PM2.0×3.0 screw **(2)** that secures the display release hook assembly to the base enclosure.

3. Remove the display release hook assembly (3).

 **NOTE:** The display release hook assemblies are included with the base enclosure spare part kit.



4. Disconnect the power switch board cable (1) from the system board.
5. Remove the power switch board (2) and power switch actuator (3) from the base enclosure.



Reverse this procedure to install the power switch assembly.

Bluetooth module

Description	Spare part number
Bluetooth module	483113-001
Bluetooth module cable	487697-001

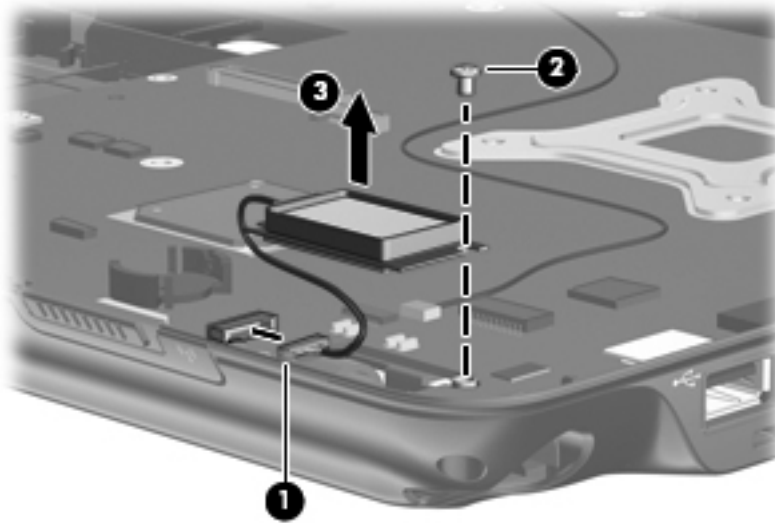
Before removing the Bluetooth module, follow these steps:

1. Shut down the computer. If you are unsure whether the computer is off or in Hibernation, turn the computer on, and then shut it down through the operating system.
2. Disconnect all external devices connected to the computer.
3. Disconnect the power cord.
4. Remove the battery (see [Battery on page 38](#)).
5. Remove the following components:
 - a. Hard drive (see [Hard drive on page 40](#))
 - b. Optical drive (see [Optical drive on page 43](#))
 - c. Keyboard (see [Keyboard on page 49](#))
 - d. Switch cover (see [Switch cover on page 51](#))
 - e. Display assembly (see [Display assembly on page 53](#))
 - f. Top cover (see [Top cover on page 56](#))

Remove the Bluetooth module:

1. Disconnect the Bluetooth module cable **(1)** from the system board.
2. Remove the Phillips PM2.0×3.0 screw **(2)** that secures the Bluetooth module to the system board.

3. Remove the Bluetooth module (3).



Reverse this procedure to install the Bluetooth module.

System board

Description	Spare part number
System board (includes replacement thermal material)	504466-001

When replacing the system board, be sure that the following components are removed from the defective system board and installed on the replacement system board:

- Memory module (see [Memory module on page 44](#))
- WLAN module (see [WLAN module on page 46](#))
- RTC battery (see [RTC battery on page 42](#))
- Bluetooth module (see [Bluetooth module on page 60](#))
- Fan/heat sink assembly (see [Fan/heat sink assembly on page 67](#))
- Processor (see [Processor on page 69](#))


Before removing the system board, follow these steps:

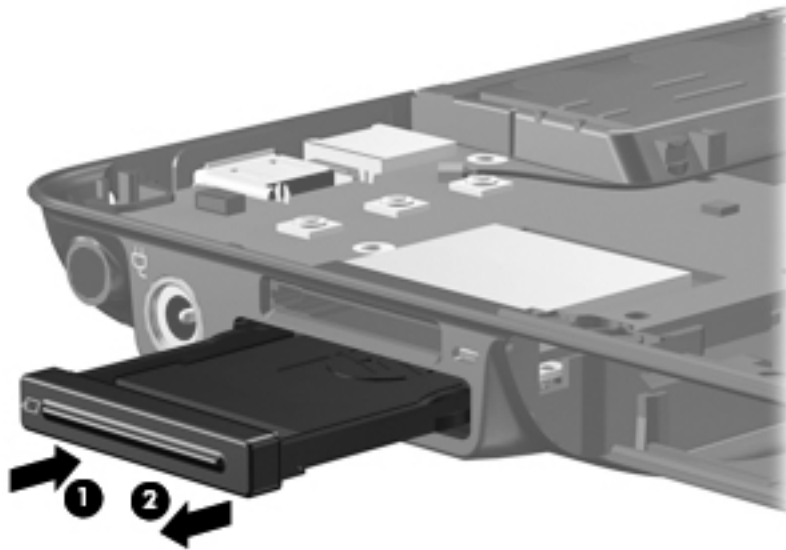
1. Shut down the computer. If you are unsure whether the computer is off or in Hibernation, turn the computer on, and then shut it down through the operating system.
2. Disconnect all external devices connected to the computer.
3. Disconnect the power cord.

4. Remove the battery (see [Battery on page 38](#)).
5. Remove the following components:
 - a. Hard drive (see [Hard drive on page 40](#))
 - b. Memory module compartment cover (see [Memory module on page 44](#))
 - c. Optical drive (see [Optical drive on page 43](#))
 - d. Keyboard (see [Keyboard on page 49](#))
 - e. Switch cover (see [Switch cover on page 51](#))
 - f. Display assembly (see [Display assembly on page 53](#))
 - g. Top cover (see [Top cover on page 56](#))
 - h. Power switch assembly (see [Power switch assembly on page 58](#))

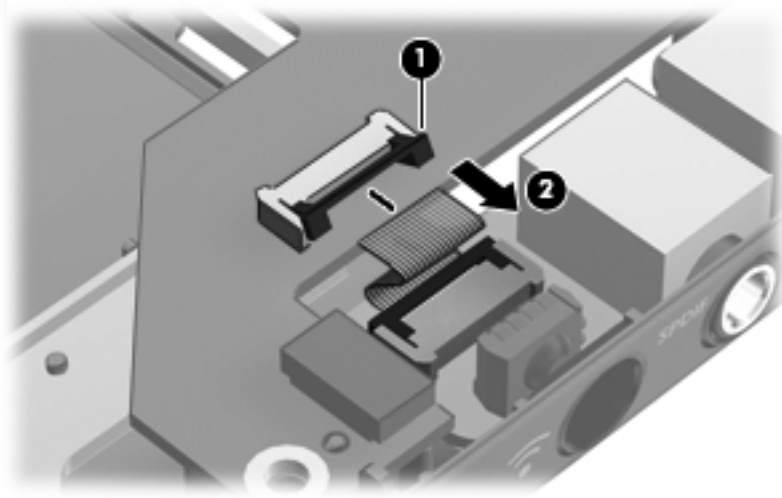
Remove the system board:

1. Press in on the ExpressCard slot bezel **(1)** to release the bezel from the ExpressCard slot.
2. Remove the ExpressCard slot bezel **(2)** from the ExpressCard slot.

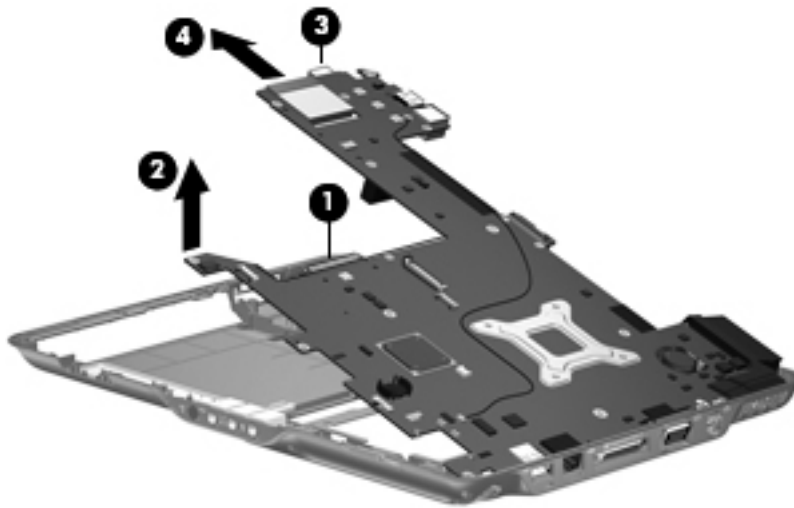
 **NOTE:** The ExpressCard slot bezel is included in the Plastics Kit, spare part number 487926-001.



3. Release the ZIF connector (1) to which the audio/infrared board cable is connected and disconnect the audio/infrared board cable (2) from the system board.



4. Use the optical drive connector (1) to lift the left side of the system board (2) until the power connector (3) is clear of the base enclosure.
5. Pull the system board (4) away from the top cover at an angle and remove it.



Reverse this procedure to install the system board.

Pen holder and pen eject assembly

Description	Spare part number
Pen holder and pen eject assembly	506826-001

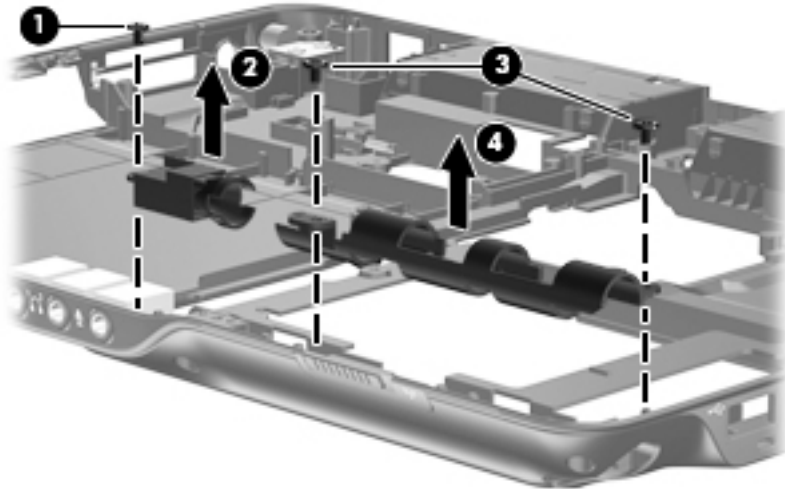
Before removing the pen holder and pen eject assembly, follow these steps:

1. Shut down the computer. If you are unsure whether the computer is off or in Hibernation, turn the computer on, and then shut it down through the operating system.
2. Disconnect all external devices connected to the computer.
3. Disconnect the power cord.
4. Remove the battery (see [Battery on page 38](#)).
5. Remove the following components:
 - a. Pen (see [Pen on page 39](#))
 - b. Hard drive (see [Hard drive on page 40](#))
 - c. Memory module compartment cover (see [Memory module on page 44](#))
 - d. Optical drive (see [Optical drive on page 43](#))
 - e. Keyboard (see [Keyboard on page 49](#))
 - f. Switch cover (see [Switch cover on page 51](#))
 - g. Display assembly (see [Display assembly on page 53](#))
 - h. Top cover (see [Top cover on page 56](#))
 - i. Power switch assembly (see [Power switch assembly on page 58](#))
 - j. System board (see [System board on page 61](#))

Remove the pen holder and pen eject assembly:

1. Remove the Phillips PM2.0×3.0 screw **(1)** that secures the pen eject assembly to the base enclosure.
2. Remove the pen eject assembly **(2)**.
3. Remove the two Phillips PM2.0×3.0 screws **(3)** that secure the pen holder to the base enclosure.

4. Remove the pen holder (4).



Reverse this procedure to install the pen holder and pen eject assembly.

Audio/infrared board

Description	Spare part number
Audio/infrared board (includes audio/infrared board cable)	441144-001

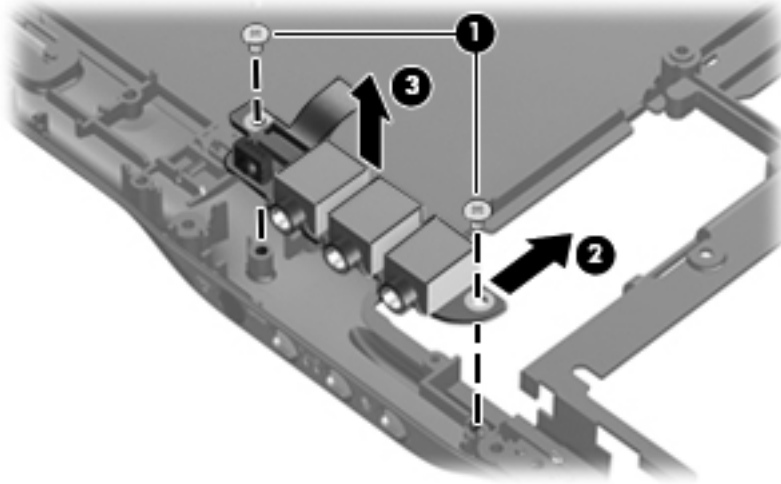
Before removing the audio/infrared board, follow these steps:

1. Shut down the computer. If you are unsure whether the computer is off or in Hibernation, turn the computer on, and then shut it down through the operating system.
2. Disconnect all external devices connected to the computer.
3. Disconnect the power cord.
4. Remove the battery (see [Battery on page 38](#)).
5. Remove the following components:
 - a. Hard drive (see [Hard drive on page 40](#))
 - b. Memory module compartment cover (see [Memory module on page 44](#))
 - c. Optical drive (see [Optical drive on page 43](#))
 - d. Keyboard (see [Keyboard on page 49](#))
 - e. Switch cover (see [Switch cover on page 51](#))
 - f. Display assembly (see [Display assembly on page 53](#))
 - g. Top cover (see [Top cover on page 56](#))
 - h. Power switch assembly (see [Power switch assembly on page 58](#))

- i. System board (see [System board on page 61](#))
- j. Pen holder (see [Pen holder and pen eject assembly on page 64](#))

Remove the audio/infrared board:

1. Remove the two Phillips PM2.0×3.0 screws (1) that secure the audio/infrared board to the system board.
2. Release the audio/infrared board (2) by sliding it away from you until the connectors on the front of the board disengage from the openings in the base enclosure.
3. Remove the audio/infrared board (3).



Reverse this procedure to install the audio/infrared board.

Fan/heat sink assembly

Description	Spare part number
Fan/heat sink assembly (includes thermal material)	487925-001



NOTE: To properly ventilate the computer, allow at least a 7.6-cm (3-inch) clearance on the right side and rear panel of the computer.

The computer uses an electric fan for ventilation. The fan is controlled by a temperature sensor and is designed to turn on automatically when high temperature conditions exist. These conditions are affected by high external temperatures, system power consumption, power management/battery conservation configurations, battery fast charging, and software requirements. Exhaust air is displaced through the ventilation grill located on the left side of the computer.


Before removing the fan/heat sink assembly, follow these steps:

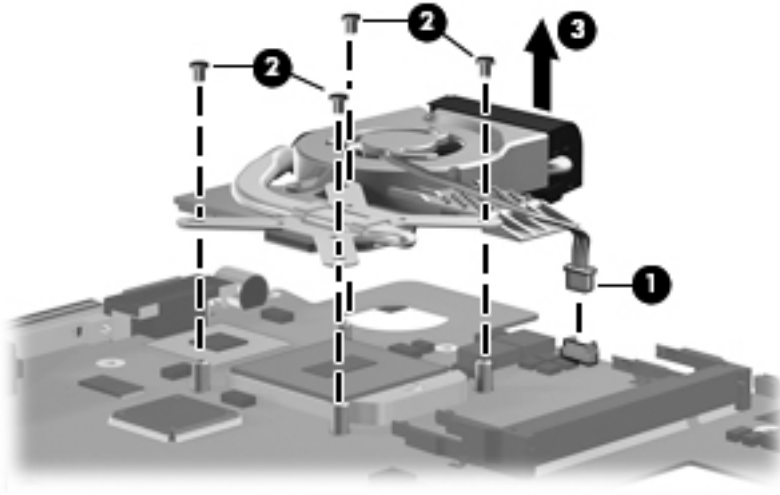
1. Shut down the computer. If you are unsure whether the computer is off or in Hibernation, turn the computer on, and then shut it down through the operating system.
2. Disconnect all external devices connected to the computer.
3. Disconnect the power cord.
4. Remove the battery (see [Battery on page 38](#)).
5. Remove the following components:
 - a. Hard drive (see [Hard drive on page 40](#))
 - b. Memory module compartment cover (see [Memory module on page 44](#))
 - c. Optical drive (see [Optical drive on page 43](#))
 - d. Keyboard (see [Keyboard on page 49](#))
 - e. Switch cover (see [Switch cover on page 51](#))
 - f. Display assembly (see [Display assembly on page 53](#))
 - g. Top cover (see [Top cover on page 56](#))
 - h. Power switch assembly (see [Power switch assembly on page 58](#))
 - i. System board (see [System board on page 61](#))


Remove the fan/heat assembly:

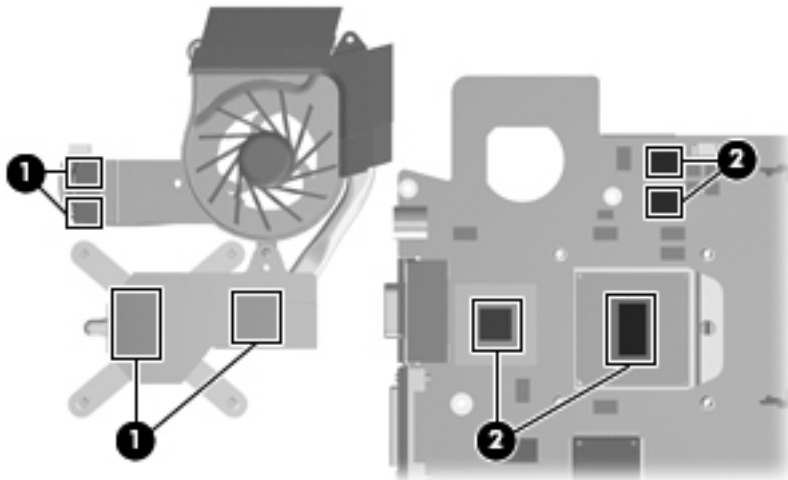
1. Disconnect the fan cable **(1)** from the system board.
2. Remove the four Phillips PM2.0×4.0 screws **(2)** that secure the fan/heat sink assembly to the system board.

3. Remove the fan/heat sink assembly (3).

 **NOTE:** Due to the adhesive quality of the thermal material located between the fan/heat sink assembly and system board components, it may be necessary to move the fan/heat sink assembly from side to side to detach the assembly.



 **NOTE:** The thermal material should be thoroughly cleaned from the surfaces of the fan/heat sink assembly (1) and the system board components (2) each time the fan/heat sink assembly is removed. Replacement thermal material is included with all system board, fan/heat sink assembly, and processor spare part kits. A separate thermal pad kit is also available using spare part number 634256-001.



Reverse this procedure to install the fan/heat sink assembly.

Processor



NOTE: The processor spare part kit includes replacement thermal material.

Description	Spare part number
AMD Turion 64 Mobile Technology Dual-Core ZM-87 processor (2.40-GHz, 1-MB L2 cache, 800-MHz FSB)	572564-001
AMD Turion Ultra 64 Mobile Technology Ultra Dual-Core ZM-86 processor (2.40-GHz, 1-MB L2 cache, 800-MHz FSB)	507974-001
AMD Turion 64 Mobile Technology Dual-Core ZM-85 processor (2.30-GHz, 1-MB L2 cache, 800-MHz FSB)	532119-001
AMD Turion Ultra 64 Mobile Technology Ultra Dual-Core ZM-84 processor (2.30-GHz, 1-MB L2 cache, 800-MHz FSB)	507975-001
AMD Turion Ultra 64 Mobile Technology Ultra Dual-Core ZM-82 processor (2.20-GHz, 1-MB L2 cache, 800-MHz FSB)	507973-001
AMD Turion Ultra 64 Mobile Technology Ultra Dual-Core ZM-80 processor (2.10-GHz, 1-MB L2 cache, 800-MHz FSB)	507972-001
AMD Turion 64 Mobile Technology Dual-Core RM-77 processor (2.30-GHz, 1-MB L2 cache, 800-MHz FSB)	572565-001
AMD Turion 64 Mobile Technology Dual-Core RM-75 processor (2.20-GHz, 1-MB L2 cache, 800-MHz FSB)	532120-001
AMD Turion 64 Mobile Technology Dual-Core RM-74 processor (2.20-GHz, 1-MB L2 cache, 800-MHz FSB)	507979-001
AMD Turion 64 Mobile Technology Dual-Core RM-72 processor (2.10-GHz, 1-MB L2 cache, 800-MHz FSB)	507978-001
AMD Turion 64 Mobile Technology Dual-Core QL-67 processor (2.20-GHz, 512-KB L2 cache, 667-MHz FSB)	572566-001
AMD Turion 64 Mobile Technology Dual-Core QL-65 processor (2.10-GHz, 512-KB L2 cache, 667-MHz FSB)	532121-001
AMD Turion 64 Mobile Technology Dual-Core QL-64 processor (2.10-GHz, 512-KB L2 cache, 667-MHz FSB)	506053-001
AMD Turion 64 Mobile Technology Dual-Core QL-62 processor (2.00-GHz, 512-KB L2 cache, 667-MHz FSB)	506052-001


Before removing the processor, follow these steps:

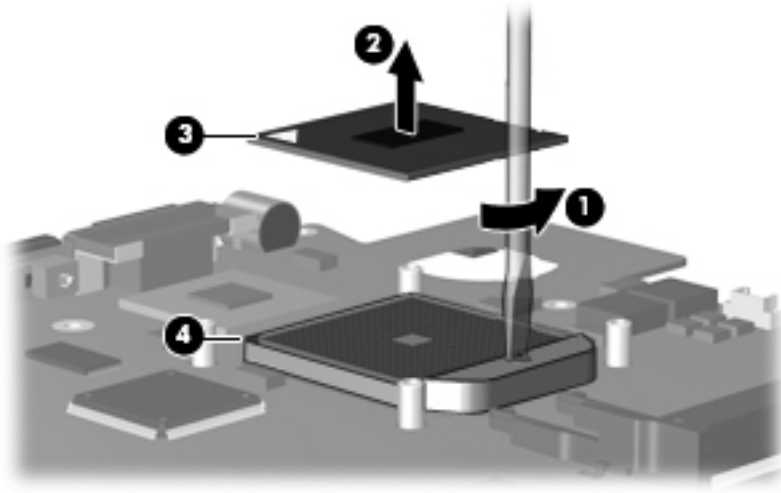
1. Shut down the computer. If you are unsure whether the computer is off or in Hibernation, turn the computer on, and then shut it down through the operating system.
2. Disconnect all external devices connected to the computer.
3. Disconnect the power cord.

4. Remove the battery (see [Battery on page 38](#)).
5. Remove the following components:
 - a. Hard drive (see [Hard drive on page 40](#))
 - b. Memory module compartment cover (see [Memory module on page 44](#))
 - c. Optical drive (see [Optical drive on page 43](#))
 - d. Keyboard (see [Keyboard on page 49](#))
 - e. Switch cover (see [Switch cover on page 51](#))
 - f. Display assembly (see [Display assembly on page 53](#))
 - g. Top cover (see [Top cover on page 56](#))
 - h. Power switch assembly (see [Power switch assembly on page 58](#))
 - i. System board (see [System board on page 61](#))

Remove the processor:


1. Use a flat-bladed screwdriver to turn the processor locking screw **(1)** one-half turn counterclockwise until you hear a click.
2. Lift the processor **(2)** straight up and remove it.

 **NOTE:** The gold triangle **(3)** on the processor should be aligned with the triangle **(4)** embossed on the processor socket when you install the processor.




Reverse this procedure to install the processor.

5 Setup Utility

 **WARNING!** Only authorized technicians trained by HP should repair this equipment. All troubleshooting and repair procedures are detailed to allow repair at only the subassembly or module level. Because of the complexity of the individual boards and subassemblies, do not attempt to make repairs at the component level or modify any printed wiring board. Improper repairs can create a safety hazard. Any indication of component replacement or printed wiring board modification may void any warranty or exchange allowances.

Starting the Setup Utility

The Setup Utility is a ROM-based information and customization utility that can be used even when your Windows operating system is not working or will not load.

 **NOTE:** The fingerprint reader (select models only) does not work when accessing the Setup Utility.

The utility reports information about the computer and provides settings for startup, security, and other preferences.

To start the Setup Utility:

1. Turn on or restart the computer.
2. Before Windows opens and while “Press <F10> to enter setup” is displayed in the lower-left corner of the screen, press **f10**.

Changing the language of the Setup Utility

The following procedure explains how to change the language of the Setup Utility. If the Setup Utility is not already running, begin at step 1. If the Setup Utility is already running, begin at step 2.

1. To start the Setup Utility, turn on or restart the computer, and then press **f10** while “Press <F10> to enter setup” is displayed in the lower-left corner of the screen.
2. Use the arrow keys to select **System Configuration > Language**, and then press **enter**.
3. Press **f5** or **f6** (or use the arrow keys) to select a language, and then press **enter** to select a language.
4. When a confirmation prompt with your preference selected is displayed, press **enter** to save your preference.
5. To set your preferences and exit the Setup Utility, press **f10** and then follow the instructions on the screen.

Your preferences go into effect when the computer restarts in Windows.

Navigating and selecting in the Setup Utility

Because the Setup Utility is not Windows-based, it does not support the TouchPad. Navigation and selection are by keystroke.

- To choose a menu or a menu item, use the arrow keys.
- To choose an item in a drop-down list or to toggle a field, for example an Enable/Disable field, use either the arrow keys or **f5** or **f6**.
- To select an item, press **enter**.
- To close a text box or return to the menu display, press **esc**.
- To display additional navigation and selection information while the Setup Utility is open, press **f1**.

Displaying system information

The following procedure explains how to display system information in the Setup Utility. If the Setup Utility is not open, begin at step 1. If the Setup Utility is open, begin at step 2.

1. To start the Setup Utility, turn on or restart the computer, and then press **f10** while “Press <F10> to enter setup” is displayed in the lower-left corner of the screen.
2. Access the system information by using the **Main** menu.
3. To exit the Setup Utility without changing any settings, use the arrow keys to select **Exit > Exit Discarding Changes**, and then press **enter**. (The computer restarts in Windows.)

Restoring default settings in the Setup Utility

The following procedure explains how to restore the Setup Utility default settings. If the Setup Utility is not already running, begin at step 1. If the Setup Utility is already running, begin at step 2.

1. To start the Setup Utility, turn on or restart the computer, and then press **f10** while “Press <F10> to enter setup” is displayed in the lower-left corner of the screen.
2. Select **Exit > Load Setup Defaults**, and then press **enter**.
3. When the Setup Confirmation is displayed, press **enter** to save your preferences.
4. To set your preferences and exit the Setup Utility, press **f10**, and then follow the instructions on the screen.

The Setup Utility default settings are set when you exit the Setup Utility and go into effect when the computer restarts.



NOTE: Your password, security, and language settings are not changed when you restore the factory default settings.

Using advanced Setup Utility features

This section describes the Setup Utility features recommended for all users. For more information about the Setup Utility features recommended for advanced users only, refer to Help and Support, which is accessible only when the computer is in Windows.

The Setup Utility features available for advanced users include a hard drive self-test, a Network Service Boot, and settings for boot order preferences.

The “<F12> to boot from LAN” message that is displayed in the lower-left corner of the screen each time the computer is started or restarted in Windows is the prompt for a Network Service Boot.

The “Press <F9> to change boot order” message that is displayed in the lower-left corner of the screen each time the computer is started or restarted in Windows is the prompt to change the boot order.

Closing the Setup Utility

You can close the Setup Utility with or without saving changes.

- To close the Setup Utility and save your changes from the current session, use either of the following procedures:
 - Press **f10**, and then follow the instructions on the screen.
 - or —
 - If the Setup Utility menus are not visible, press **esc** to return to the menu display. Then use the arrow keys to select **Exit > Exit Saving Changes**, and then press **enter**.

When you use the **f10** procedure, you are offered an option to return to the Setup Utility. When you use the Exit Saving Changes procedure, the Setup Utility closes when you press **enter**.

- To close the Setup Utility without saving your changes from the current session:

If the Setup Utility menus are not visible, press **esc** to return to the menu display. Then use the arrow keys to select **Exit > Exit Discarding Changes**, and then press **enter**.

After the Setup Utility closes, the computer restarts in Windows.

Setup Utility menus

The menu tables in this section provide an overview of Setup Utility options.



NOTE: Some of the Setup Utility menu items listed in this section may not be supported by your computer.

Main menu

Select	To do this
System information	<ul style="list-style-type: none">• View and change the system time and date.• View identification information about the computer.• View specification information about the processor, memory size, system BIOS, and keyboard controller version (select models only).

Security menu

Select	To do this
Administrator password	Enter, change, or delete an administrator password.
Power-On Password	Enter, change, or delete a power-on password.

System Configuration menu

Select	To do this
Language Support	Change the Setup Utility language.
Enhanced SATA support (select models only)	Enable/disable enhanced SATA mode.
Boot Options	Set the following boot options: <ul style="list-style-type: none">• f10 and f12 Delay (sec.)—Set the delay for the f10 and f12 functions of the Setup Utility in intervals of 5 seconds each (0, 5, 10, 15, 20).• CD-ROM boot—Enable/disable boot from CD-ROM.• Floppy boot—Enable/disable boot from Floppy.• Internal Network Adapter boot—Enable/disable boot from Internal Network Adapter.• Boot Order—Set the boot order for:<ul style="list-style-type: none">◦ USB Floppy◦ ATAPI CD/DVD ROM Drive◦ Hard drive◦ USB Diskette on Key◦ USB Hard drive◦ Network adapter
Button Sound (select models only)	Enable/disable the Quick Launch Button tapping sound.
Video memory up to (select models only)	Select the amount of video memory.

Diagnostics menu

Select	To do this
Hard Disk Self Test	Run a comprehensive self-test on the hard drive. NOTE: On models with two hard drives, this menu option is called the Primary Hard Disk Self Test .
Secondary Hard Disk Self Test (select models only)	Run a comprehensive self-test on a secondary hard drive.
Memory Test	Run a diagnostic test on the system memory.

6 Specifications

Computer specifications

	Metric	U.S.
Dimensions		
Height (front to back)	3.1 to 3.9 cm	1.22 to 1.54 in
Width	30.6 cm	12.05 in
Depth	22.4 cm	8.82 in
Weight (with optical drive, hard drive, and battery)	1.95 kg	4.29 lbs
Input power		
Operating voltage	18.5 V dc @ 3.5 A - 65 W	
Operating current	3.5 A	
Temperature		
Operating (not writing to optical disc)	0°C to 35°C	32°F to 95°F
Operating (writing to optical disc)	5°C to 35°C	41°F to 95°F
Nonoperating	-20°C to 60°C	-4°F to 140°F
Relative humidity		
Operating	10% to 90%	
Nonoperating	5% to 95%	
Maximum altitude (unpressurized)		
Operating	-15 m to 3,048 m	-50 ft to 10,000 ft
Nonoperating	-15 m to 12,192 m	-50 ft to 40,000 ft
Shock		
Operating	125 g, 2 ms, half-sine	
Nonoperating	200 g, 2 ms, half-sine	
Random vibration		
Operating	0.75 g zero-to-peak, 10 Hz to 500 Hz, 0.25 oct/min sweep rate	

	Metric	U.S.
Nonoperating	1.50 g zero-to-peak, 10 Hz to 500 Hz, 0.5 oct/min sweep rate	

NOTE: Applicable product safety standards specify thermal limits for plastic surfaces. The computer operates well within this range of temperatures.

12.1-inch, WXGA BrightView display specifications

	Metric	U.S.
Dimensions		
Height	16.2 cm	6.4 in
Width	26.0 cm	10.2 in
Diagonal	30.6 cm	12.1 in
Number of colors	Up to 16.8 million	
Contrast ratio	300:1 (typical)	
Brightness	200 nits (typical)	
Pixel resolution		
Pitch	0.300 × 0.300 mm	
Format	1280 × 800	
Configuration	RGB stripe	
Backlight	CCFL	
Refresh rate	60 Hz	
PPI	107	
Viewing angle	+/-45° horizontal, +/-25° vertical (typical)	

Hard drive specifications

	500-GB*	320-GB*	160-GB*
Dimensions			
Height	9.5 mm	9.5 mm	9.5 mm
Width	70 mm	70 mm	70 mm
Weight	102 g	102 g	102 g
Interface type	ATA-7	ATA-7	ATA-7
Transfer rate			
Synchronous (maximum)	100 MB/sec	100 MB/sec	100 MB/sec
Security	ATA security	ATA security	ATA security
Seek times (typical read, including setting)			
Single track	3 ms	3 ms	3 ms
Average	13 ms	13 ms	13 ms
Maximum	24 ms	24 ms	24 ms
Logical blocks	976,773,168	604,234,532	317,249,699
Disc rotational speed	5400-rpm	5400-rpm or 7200-rpm	5400-rpm
Operating temperature	5°C to 55°C (41°F to 131°F)		
*1 GB = 1 billion bytes when referring to hard drive storage capacity. Actual accessible capacity is less.			
†Actual drive specifications may differ slightly.			
NOTE: Certain restrictions and exclusions apply. Contact technical support for details.			

DVD±RW and CD-RW SuperMulti Double-Layer Combo Drive specifications

Applicable disc	Read:	Write:
	CD-DA, CD+(E)G, CD-MIDI, CD-TEXT, CD-ROM, CD-ROM XA, MIXED MODE CD, CD-I, CD-I Bridge (Photo-CD, Video CD), Multisession CD (Photo-CD, CD-EXTRA, Portfolio, CD-R, CD-RW), CD-R, CD-RW, DVD-ROM (DVD-5, DVD-9, DVD-10, DVD-18), DVD-R, DVD-RW, DVD+R, DVD+RW, DVD-RAM	CD-R and CD-RW DVD+R, DVD+RW, DVD-R, DVD-RW, DVD-RAM
Access time	CD	DVD
Random	< 175 ms	< 230 ms
Cache buffer	2 MB	
Data transfer rate		
24X CD-ROM	3,600 KB/sec	
8X DVD	10,800 KB/sec	
24X CD-R	3,600 KB/sec	
16X CD-RW	2,400 KB/sec	
8X DVD+R	10,800 KB/sec	
4X DVD+RW	5,400 KB/sec	
8X DVD-R	10,800 KB/sec	
4X DVD-RW	5,400 KB/sec	
2.4X DVD+R(9)	2,700 KB/sec	
5X DVD-RAM	6,750 KB/sec	
Transfer mode	Multiword DMA Mode	

System DMA specifications

Hardware DMA	System function
DMA0	Not applicable
DMA1*	Not applicable
DMA2*	Not applicable
DMA3	Not applicable
DMA4	Direct memory access controller
DMA5*	Available for PC Card
DMA6	Not assigned
DMA7	Not assigned

*PC Card controller can use DMA 1, 2, or 5.

System interrupt specifications

Hardware IRQ	System function
IRQ0	System timer
IRQ1	Standard 101-/102-Key or Microsoft Natural Keyboard
IRQ2	Cascaded
IRQ3	USB2 Enhanced Host Controller—24CD
IRQ4	COM1
IRQ5*	Conexant AC—SMBus Controller—24C3 Data Fax Modem with SmartCP
IRQ6	Diskette drive
IRQ7*	Parallel port
IRQ8	System CMOS/real-time clock
IRQ9*	Microsoft ACPI-compliant system
IRQ10*	USB UHCI controller—24C2 Graphic Controller Realtek RTL8139 Family PCI Fast Ethernet Controller
IRQ11	USB EHCI controller—24CD USB UHCI controller—24C4 USB UHCI controller—24C7 Pro/Wireless 2200BG TI OHCI 1394 host controller TI PCI1410 CardBus controller
IRQ12	Synaptics PS/2 TouchPad
IRQ13	Numeric data processor
IRQ14	Primary IDE channel
IRQ15	Secondary IDE channel

*Default configuration; audio possible configurations are IRQ5, IRQ7, IRQ9, IRQ10, or none.

NOTE: PC Cards may assert IRQ3, IRQ4, IRQ5, IRQ7, IRQ9, IRQ10, IRQ11, or IRQ15. Either the infrared or the serial port may assert IRQ3 or IRQ4.

System I/O address specifications

I/O address (hex)	System function (shipping configuration)
000 - 00F	DMA controller no. 1
010 - 01F	Unused
020 - 021	Interrupt controller no. 1
022 - 024	Opti chipset configuration registers
025 - 03F	Unused
02E - 02F	87334 "Super I/O" configuration for CPU
040 - 05F	Counter/timer registers
044 - 05F	Unused
060	Keyboard controller
061	Port B
062 - 063	Unused
064	Keyboard controller
065 - 06F	Unused
070 - 071	NMI enable/RTC
072 - 07F	Unused
080 - 08F	DMA page registers
090 - 091	Unused
092	Port A
093 - 09F	Unused
0A0 - 0A1	Interrupt controller no. 2
I/O Address (hex)	System Function (shipping configuration)
0A2 - 0BF	Unused
0C0 - 0DF	DMA controller no. 2
0E0 - 0EF	Unused
0F0 - 0F1	Coprocessor busy clear/reset
0F2 - 0FF	Unused
100 - 16F	Unused
170 - 177	Secondary fixed disk controller
178 - 1EF	Unused
1F0 - 1F7	Primary fixed disk controller
1F8 - 200	Unused
201	JoyStick (decoded in ESS1688)
202 - 21F	Unused

I/O address (hex)	System function (shipping configuration)
220 - 22F	Entertainment audio
230 - 26D	Unused
26E - 26	Unused
278 - 27F	Unused
280 - 2AB	Unused
2A0 - 2A7	Unused
2A8 - 2E7	Unused
2E8 - 2EF	Reserved serial port
2F0 - 2F7	Unused
2F8 - 2FF	Infrared port
300 - 31F	Unused
320 - 36F	Unused
370 - 377	Secondary diskette drive controller
378 - 37F	Parallel port (LPT1/default)
380 - 387	Unused
388 - 38B	FM synthesizer—OPL3
38C - 3AF	Unused
3B0 - 3BB	VGA
3BC - 3BF	Reserved (parallel port/no EPP support)
3C0 - 3DF	VGA
3E0 - 3E1	PC Card controller in CPU
3E2 - 3E3	Unused
3E8 - 3EF	Internal modem
3F0 - 3F7	"A" diskette controller
3F8 - 3FF	Serial port (COM1/default)
CF8 - CFB	PCI configuration index register (PCIDIVO-1)
CFC - CFF	PCI configuration data register (PCIDIVO-1)

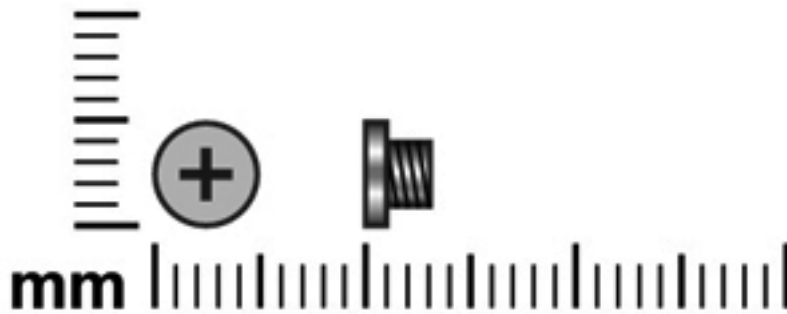
System memory map specifications

Size	Memory address	System function
640 KB	00000000-0009FFFF	Base memory
128 KB	000A0000-000BFFFF	Video memory
48 KB	000C0000-000CBFFF	Video BIOS
160 KB	000C8000-000E7FFF	Unused
64 KB	000E8000-000FFFFF	System BIOS
15 MB	00100000-00FFFFFF	Extended memory
58 MB	04800000-07FFFFFF	Super extended memory
58 MB	04800000-07FFFFFF	Unused
2 MB	08000000-080FFFFF	Video memory (direct access)
4 GB	08200000-FFFEFFFF	Unused
64 KB	FFFF0000-FFFFFFFF	System BIOS

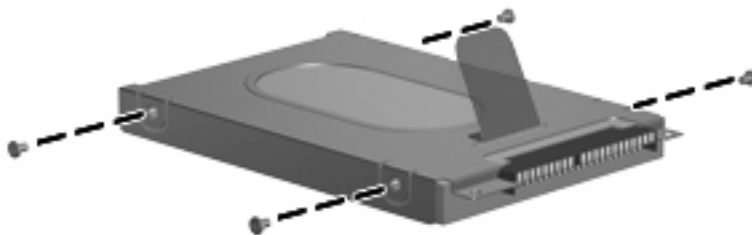
7 Screw listing

This section provides specification and reference information for the screws and screw locks used in the computer. All screws and screw locks listed in this section are available in the Screw Kit, spare part number 464116-001.

Phillips PM3.0×3.0 screw

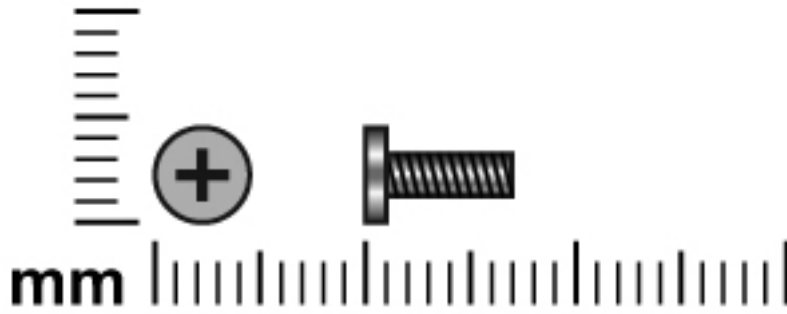


Color	Quantity	Length	Thread	Head width
Silver	4	3.0 mm	3.0 mm	5.0 mm

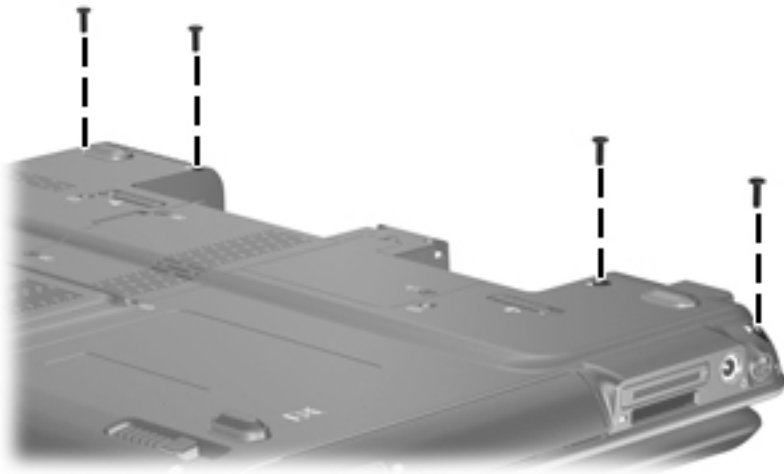


Where used: 4 screws that secure the hard drive bracket to the hard drive

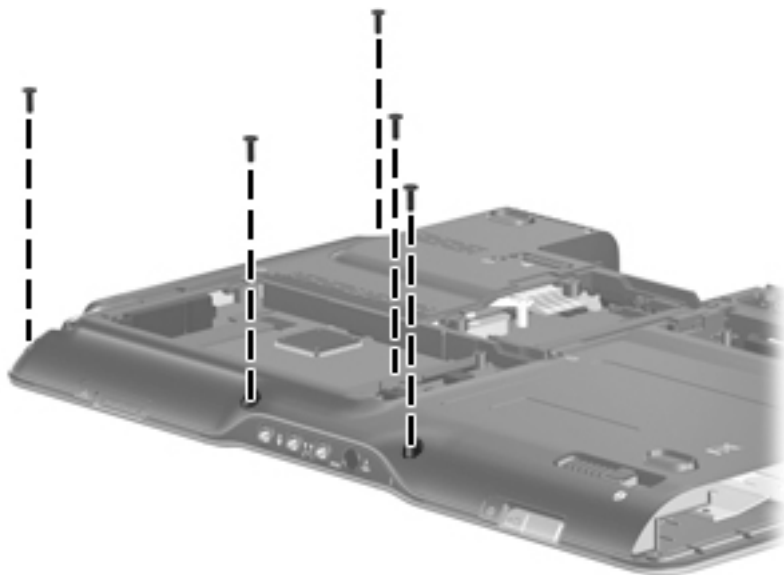
Phillips PM2.0×7.0 screw



Color	Quantity	Length	Thread	Head width
Black	9	7.0 mm	2.0 mm	4.5 mm

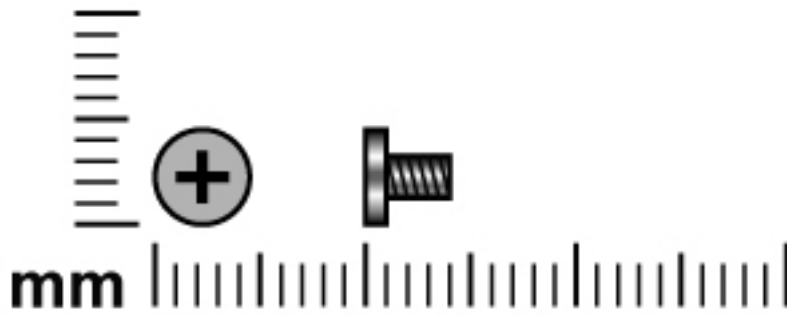


Where used: 4 screws that secure the switch cover to the computer

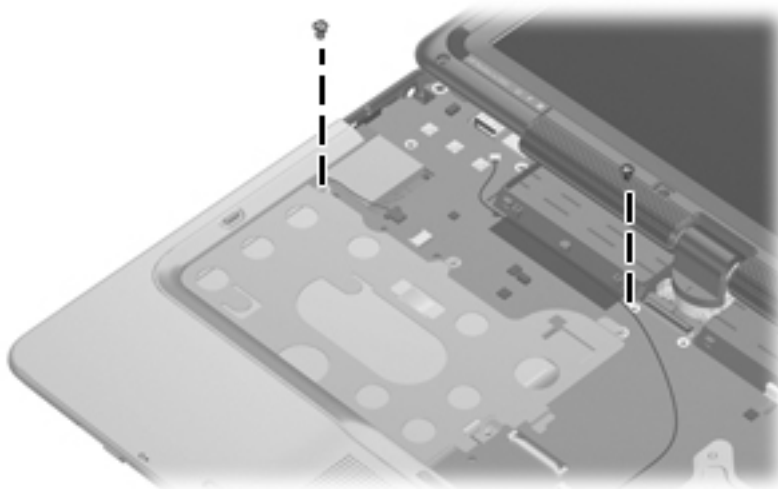


Where used: 5 screws that secure top cover to the computer

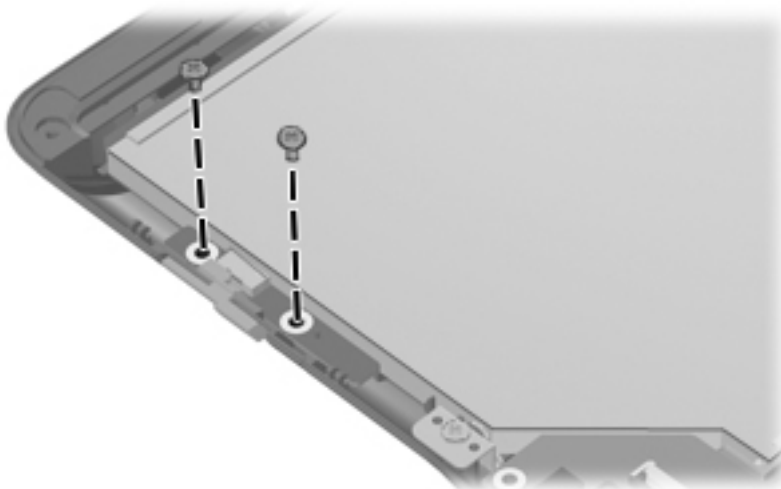
Phillips PM2.0×4.0 screw



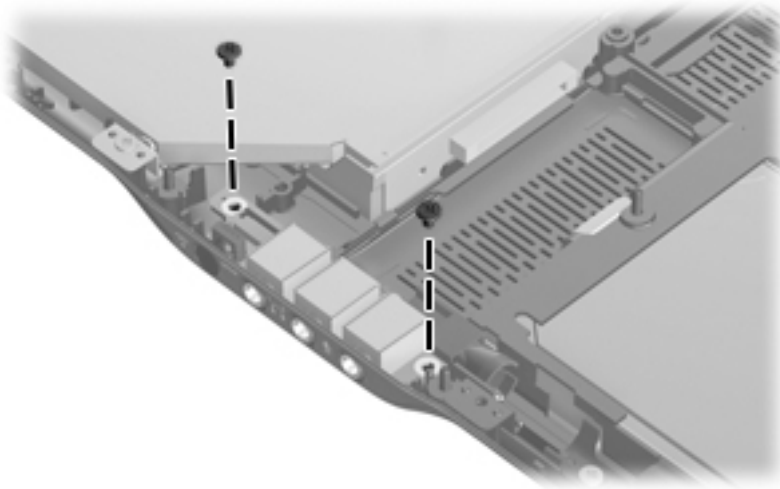
Color	Quantity	Length	Thread	Head width
Silver	10	4.0 mm	2.0 mm	4.5 mm



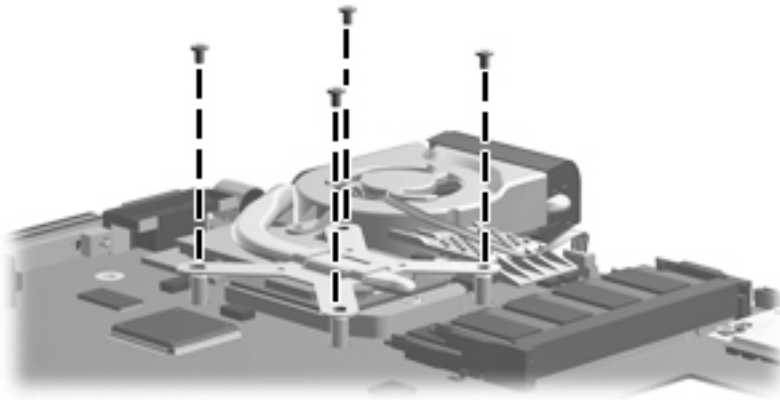
Where used: 2 screws that secure the top cover to the computer



Where used: 2 screws that secure the power switch board to the base enclosure

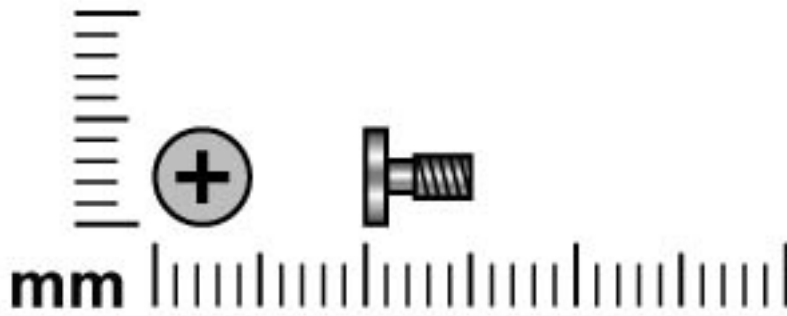


Where used: 2 screws that secure the audio/infrared board to the base enclosure

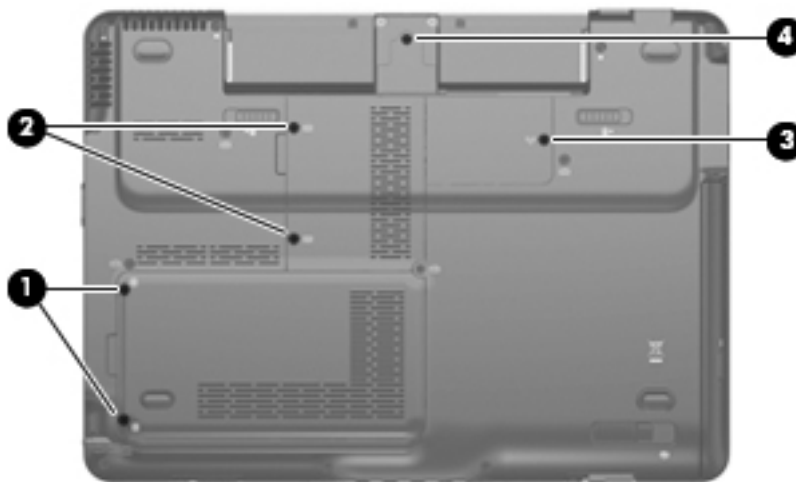


Where used: 4 screws that secure the fan/heat sink assembly to the system board

Phillips PM2.0×5.0 captive screw



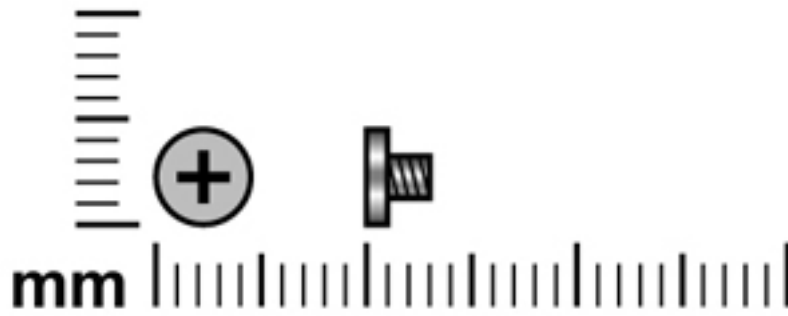
Color	Quantity	Length	Thread	Head width
Black	6	5.0 mm	2.0 mm	4.5 mm



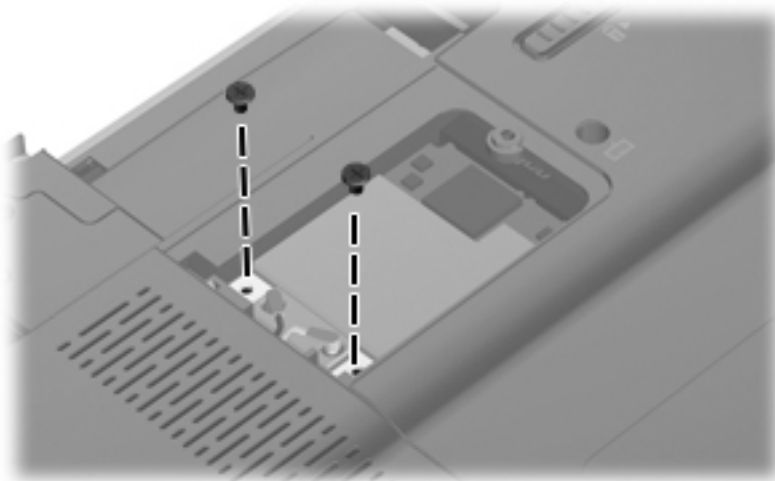
Where used:

- (1) Two captive screws (secured with C-clips) that secure the hard drive cover to the computer
- (2) Two captive screws (secured with C-clips) that secure the memory module compartment cover to the computer
- (3) One captive screw (secured with a C-clip) that secures the WLAN module compartment cover to the computer
- (4) One captive screw (secured with a C-clip) that secures the display cable cover to the computer

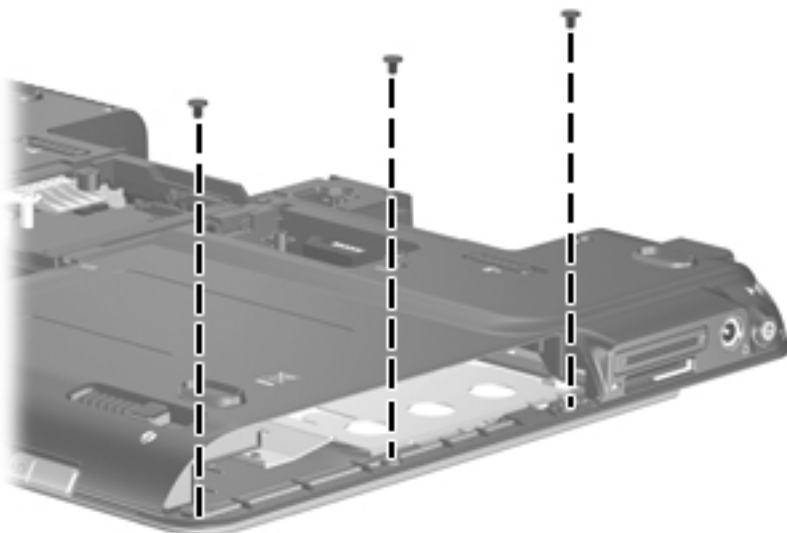
Black Phillips PM2.0×3.0 screw



Color	Quantity	Length	Thread	Head width
Black	5	3.0 mm	2.0 mm	4.5 mm

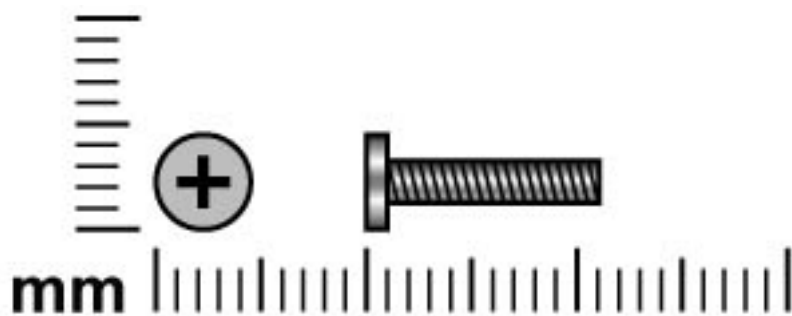


Where used: 2 screws that secure the WLAN module to the computer

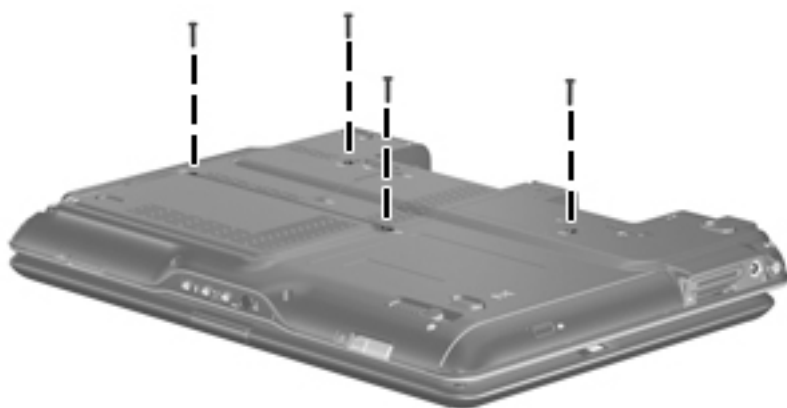


Where used: 3 screws that secure the top cover to the base enclosure

Phillips PM2.0×11.0 screw

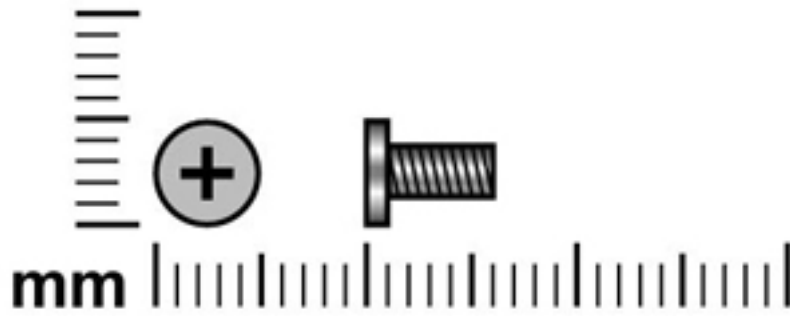


Color	Quantity	Length	Thread	Head width
Black	4	11.0 mm	2.0 mm	4.5 mm

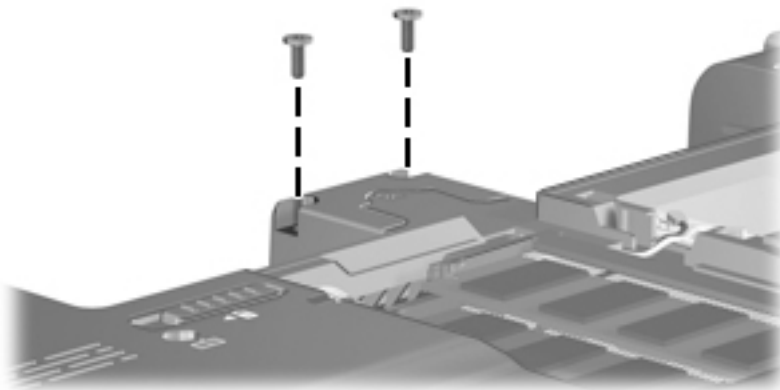


Where used: 4 screws that secure the keyboard to the computer

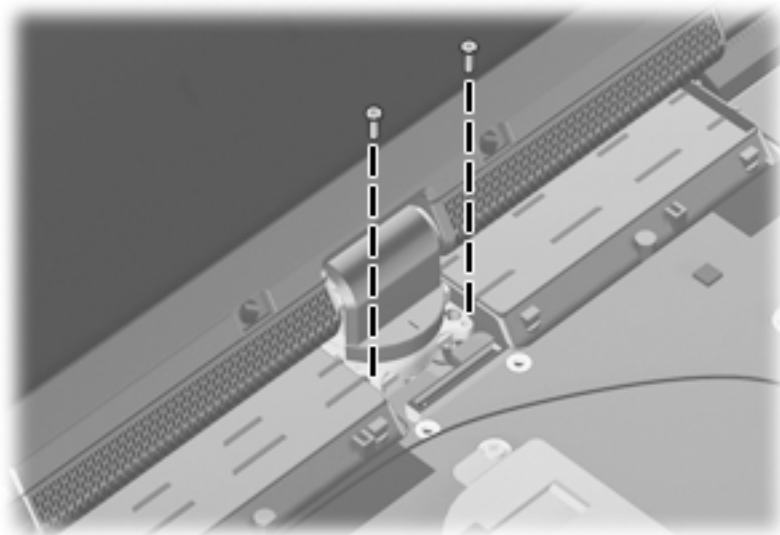
Phillips PM2.5×6.0 screw



Color	Quantity	Length	Thread	Head width
Silver	4	6.0 mm	2.5 mm	5.0 mm

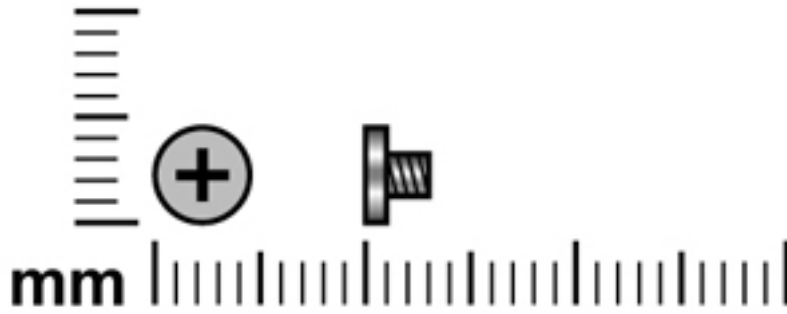


Where used: 2 screws that secure the display assembly to the computer

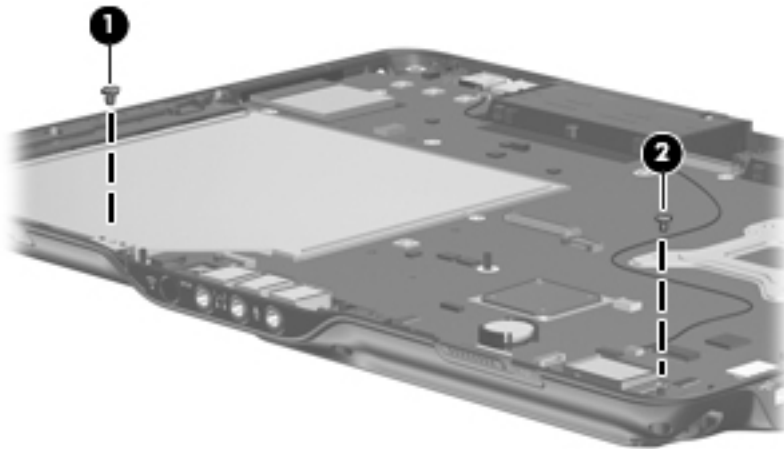


Where used: 2 screws that secure the display assembly to the computer

Silver Phillips PM2.0×3.0 screw

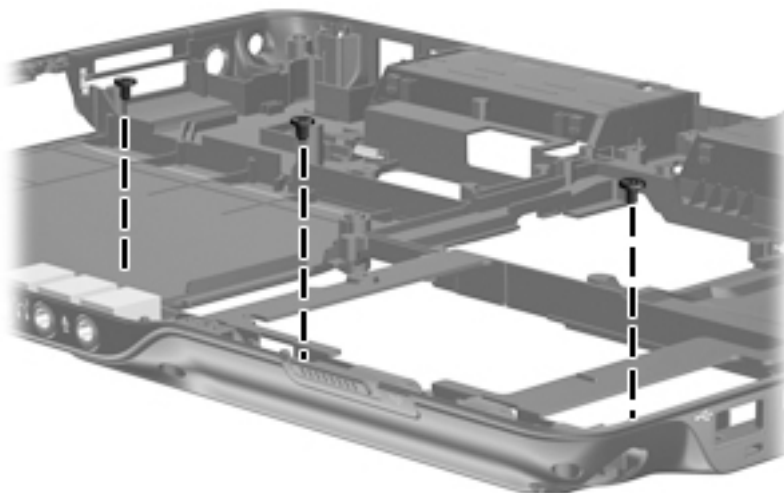


Color	Quantity	Length	Thread	Head width
Silver	5	3.0 mm	2.0 mm	4.5 mm



Where used:

- (1) One screw that secures the display release hook to the base enclosure
- (2) One screw that secures the Bluetooth module to the base enclosure



Where used: 3 screws that secure the pen eject assembly and pen holder to the base enclosure

8 Backup and recovery


Recovering system information

Tools provided by the operating system and Recovery Manager software are designed to help you with the following tasks for safeguarding your information and restoring it in case of a system failure:

- Backing up your information regularly to protect your important system files.
- Making a set of recovery discs (Recovery Manager software feature). Recovery discs are used to start up (boot) your computer and restore the operating system and software programs to factory settings in case of system failure or instability.
- Creating system restore points (operating system feature). System restore points allow you to reverse undesirable changes to your computer by restoring the computer to an earlier state.
- Recovering a program or driver (Recovery Manager software feature). This feature helps you reinstall a program or driver without performing a full system recovery.
- Performing a full system recovery (Recovery Manager software feature). With Recovery Manager, you can recover your full factory image if you experience system failure or instability. Recovery Manager works from a dedicated recovery partition on the hard drive or from recovery discs you create.


Creating recovery discs

After setting up the computer for the first time, be sure to create a set of recovery discs of the full factory image. The recovery discs are used to start up (boot) the computer and recover the operating system and software to factory settings in case of system instability or failure.

 **NOTE:** Handle these discs carefully and keep them in a safe place. The software allows the creation of only one set of recovery discs.

Note the following guidelines before creating recovery discs:

- Use any of the following types of discs: CD-R, DVD+R, DVD+R DL, DVD-R, or DVD-R DL (purchased separately). The discs you use will depend on the type of optical drive installed on your computer. Because DVDs store more information than CDs, DVDs and DVDs with double-layer (DL) support reduce the number of discs required.

 **NOTE:** Read-write discs, such as CD-RW, DVD+RW, and DVD-RW, are not compatible with the Recovery Manager software.

- The computer must be connected to AC power during this process.
- Only one set of recovery discs can be created per computer.

- Number each disc before inserting it into the computer optical drive.
- If necessary, you can exit the program before you have finished creating the recovery discs. The next time you open Recovery Manager, you will be prompted to continue the disc creation process.

To create a set of recovery discs:

1. Select **Start > All Programs > Recovery Manager > Recovery Manager**.

Recovery Manager opens.

2. Click **Advanced Options**.



NOTE: If you are operating the computer on battery power, you will be prompted to connect to AC power before you can go to the next step.

3. Click **Recovery disc creation**, and then click **Next**.
4. Follow the on-screen instructions.

Backing up your information

When to back up

- On a regularly scheduled basis



NOTE: Set reminders to back up your information periodically.

- Before the computer is repaired or restored
- Before you add or modify hardware or software

Backup suggestions


- Create a set of recovery discs using Recovery Manager.
- Create system restore points using the Windows System Restore feature, and periodically copy them to disc.
- Store personal files in the Documents folder and back up these folders periodically.
- Back up templates stored in their associated programs.
- Save customized settings in a window, toolbar, or menu bar by taking a screen shot of your settings. The screen shot can be a time saver if you have to reset your preferences.

To copy the screen and paste it into a word-processing document, follow these steps:

- a. Display the screen.
- b. Copy the screen:
 - To copy only the active window, press **alt+fn+prt sc**.
 - To copy the entire screen, press **fn+prt sc**.
- c. Open a word-processing document, and then select **Edit > Paste**.

Using system restore points


When you back up your system, you are creating a system restore point. A system restore point allows you to save and name a snapshot of your hard drive at a specific point in time. You can then recover back to that point if you want to reverse subsequent changes made to your system.

 **NOTE:** Recovering to an earlier restore point does not affect data files saved or e-mails created since the last restore point.

You also can create additional restore points to provide increased protection for your system files and settings.

When to create restore points

- Before you add or extensively modify software or hardware
- Periodically, whenever the system is performing optimally

 **NOTE:** If you revert to a restore point and then change your mind, you can reverse the restoration.

Create a system restore point

1. Select **Start > Control Panel > System and Maintenance > System**.
2. In the left pane, click **System protection**.
3. Click the **System Protection** tab.
4. Under **Automatic restore points**, select the disk for which you want to create a restore point.

5. Click **Create**.

The System Protection window opens.

6. Follow the on-screen instructions.

Restore to a previous date and time

To revert to a restore point (created at a previous date and time), when the computer was functioning optimally, follow these steps:


1. Select **Start > Control Panel > System and Maintenance > System**.
2. In the left pane, click **System protection**.
3. Click the **System Protection** tab.
4. Click the **System Restore** button, and then click **Next**.


The System Restore window opens.

5. Follow the on-screen instructions.

Performing a recovery

Recovery Manager software allows you to repair or restore the system if you experience system failure or instability. Recovery Manager works from recovery discs that you create or from a dedicated recovery partition on the hard drive.

 **NOTE:** Windows has its own built-in repair features, such as System Restore and driver roll-back capabilities. If you have not already tried these features, try them before using Recovery Manager.

 **NOTE:** Recovery Manager recovers only software that was preinstalled at the factory. Software not provided with this computer must be downloaded from the manufacturer's Web site or reinstalled from the disc provided by the manufacturer.

Recovering from the recovery discs

To restore the system from the recovery discs:

1. Back up all personal files.
2. Insert the first recovery disc into the optical drive and restart the computer.
3. Follow the on-screen instructions.

Recovering from the partition on the hard drive

You can perform a recovery from the partition on the hard drive from either the Start button or [f11](#).

To restore the system from the partition, follow these steps:

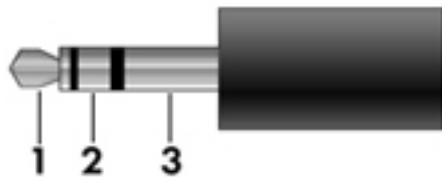
1. Access Recovery Manager in either of the following ways:
 - Select **Start > All Programs > Recovery Manager > Recovery Manager**.
 - or–
 - Restart the computer and press **f11** while the “Press <F11> for recovery” message is displayed on the screen. Then select **Recovery Manager**.

Recovery Manager opens.

2. Click **Advanced Options**.
3. Click **System recovery**, and then click **Next**.
4. Follow the on-screen instructions.

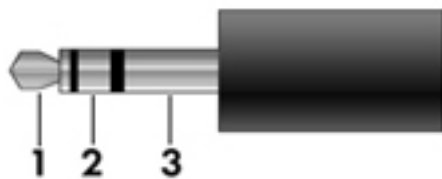
9 Connector pin assignments

Audio-in (microphone)



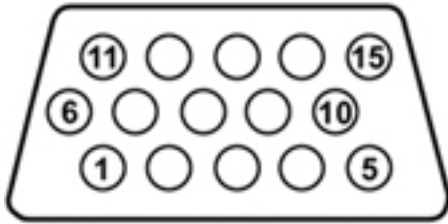
Pin	Signal
1	Audio signal in
2	Audio signal in
3	Ground

Audio-out (headphone)



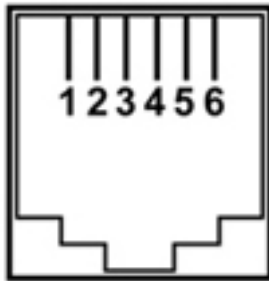
Pin	Signal
1	Audio out, left channel
2	Audio out, right channel
3	Ground

External monitor



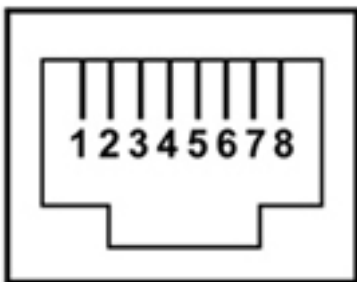
Pin	Signal
1	Red analog
2	Green analog
3	Blue analog
4	Not connected
5	Ground
6	Ground analog
7	Ground analog
8	Ground analog
9	+5 VDC
10	Ground
11	Monitor detect
12	DDC 2B data
13	Horizontal sync
14	Vertical sync
15	DDC 2B clock

RJ-11 (modem)



Pin	Signal
1	Unused
2	Unused
3	Ring
4	Tip
5	Unused
6	Unused

RJ-45 (network)



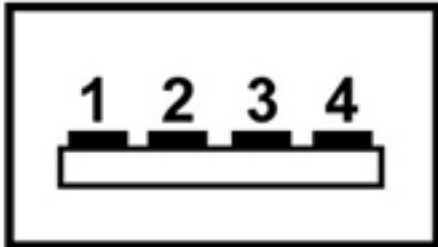
Pin	Signal
1	Transmit +
2	Transmit -
3	Receive +
4	Unused
5	Unused
6	Receive -
7	Unused
8	Unused

S-Video-out



Pin	Signal
1	S-VHS color (C) signal
2	Composite video signal
3	S-VHS intensity (Y) signal
4	S-VHS color ground
5	TV-CD
6	S-VHS intensity ground
7	Composite video ground

Universal Serial Bus



Pin	Signal
1	+5 VDC
2	Data -
3	Data +
4	Ground

10 Power cord set requirements

The wide range input feature of the computer permits it to operate from any line voltage from 100 to 120 volts AC or from 220 to 240 volts AC.

The 3-conductor power cord set included with the computer meets the requirements for use in the country or region where the equipment is purchased.

Power cord sets for use in other countries or regions must meet the requirements of the country or region where the computer is used.

Requirements for all countries or regions

The requirements listed below are applicable to all countries or regions:

- The length of the power cord set must be at least 1.5 m (5.0 ft) and no more than 2.0 m (6.5 ft).
- All power cord sets must be approved by an acceptable accredited agency responsible for evaluation in the country or region where the power cord set will be used.
- The power cord sets must have a minimum current capacity of 10 amps and a nominal voltage rating of 125 or 250 V AC, as required by each country or region's power system.
- The appliance coupler must meet the mechanical configuration of an EN 60 320/IEC 320 Standard Sheet C13 connector for mating with the appliance inlet on the back of the computer.

Requirements for specific countries or regions

Region	Accredited agency	Applicable note number
Australia	EANSW	1
Austria	OVE	1
Belgium	CEBC	1
Canada	CSA	2
Denmark	DEMKO	1
Finland	FIMKO	1
France	UTE	1
Germany	VDE	1
Italy	IMQ	1
Japan	METI	3
The Netherlands	KEMA	1
Norway	NEMKO	1
The People's Republic of China	CCC	5
South Korea	EK	4
Sweden	SEMKO	1
Switzerland	SEV	1
Taiwan	BSMI	4
The United Kingdom	BSI	1
The United States	UL	2

1. The flexible cord must be Type HO5VV-F, 3-conductor, 1.0-mm² conductor size. Power cord set fittings (appliance coupler and wall plug) must bear the certification mark of the agency responsible for evaluation in the country or region where it will be used.
2. The flexible cord must be Type SPT-3 or equivalent, No. 18 AWG, 3-conductor. The wall plug must be a two-pole grounding type with a NEMA 5-15P (15 A, 125 V) or NEMA 6-15P (15 A, 250 V) configuration.
3. The appliance coupler, flexible cord, and wall plug must bear a "T" mark and registration number in accordance with the Japanese Dentori Law. The flexible cord must be Type VCT or VCTF, 3-conductor, 1.00-mm² conductor size. The wall plug must be a two-pole grounding type with a Japanese Industrial Standard C8303 (7 A, 125 V) configuration.
4. The flexible cord must be Type RVV, 3-conductor, 0.75-mm² conductor size. Power cord set fittings (appliance coupler and wall plug) must bear the certification mark of the agency responsible for evaluation in the country or region where it will be used.
5. The flexible cord must be Type VCTF, 3-conductor, 0.75-mm² conductor size. Power cord set fittings (appliance coupler and wall plug) must bear the certification mark of the agency responsible for evaluation in the country or region where it will be used.

11 Recycling

Battery

When a battery has reached the end of its useful life, do not dispose of the battery in general household waste. Follow the local laws and regulations in your area for computer battery disposal.

Display

⚠ **WARNING!** The backlight contains mercury. Caution should be exercised when removing and handling the backlight to avoid damaging this component and causing exposure to the mercury.

⚠ **CAUTION:** The procedures in this chapter can result in damage to display components. The only components intended for recycling purposes are the liquid crystal display (LCD) panel and the backlight. Careful handling should be exercised when removing these components.

📄 **NOTE: Materials Disposal.** This HP product contains mercury in the backlight in the display assembly that might require special handling at end-of-life. Disposal of mercury may be regulated because of environmental considerations. For disposal or recycling information, contact your local authorities, or see the Electronic Industries Alliance (EIA) Web site at <http://www.eiae.org>.

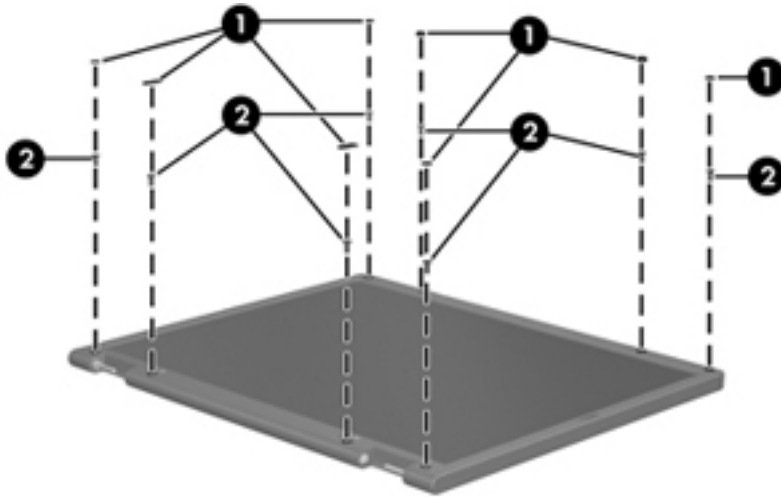
This section provides disassembly instructions for the display assembly. The display assembly must be disassembled to gain access to the backlight (1) and the liquid crystal display (LCD) panel (2).



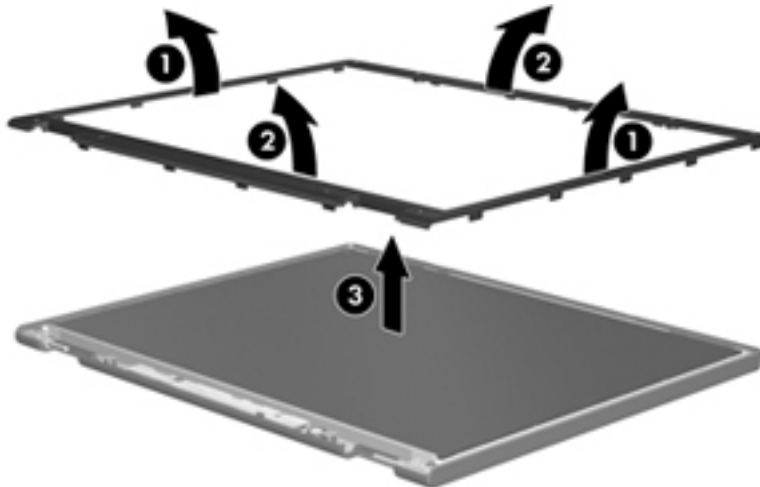
📄 **NOTE:** The procedures provided in this chapter are general disassembly instructions. Specific details, such as screw sizes, quantities, and locations, and component shapes and sizes, can vary from one computer model to another.

Perform the following steps to disassemble the display assembly:

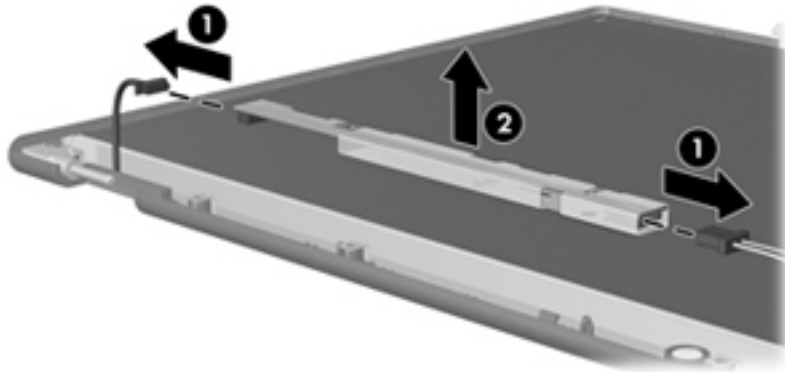
1. Remove all screw covers (1) and screws (2) that secure the display bezel to the display assembly.



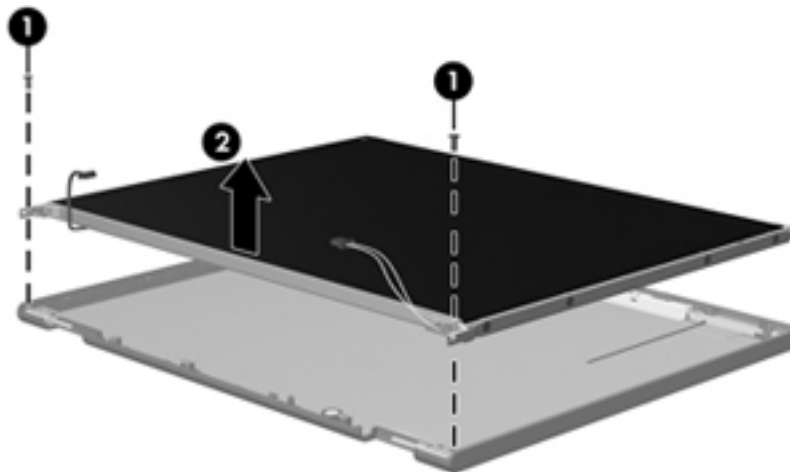
2. Lift up and out on the left and right inside edges (1) and the top and bottom inside edges (2) of the display bezel until the bezel disengages from the display assembly.
3. Remove the display bezel (3).



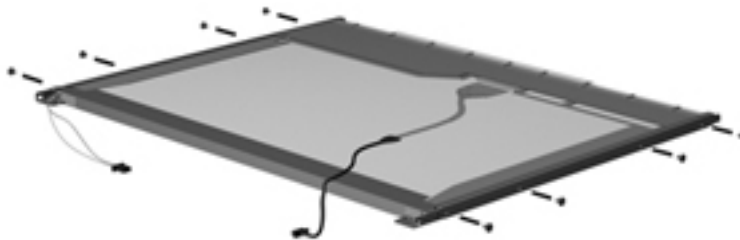
4. Disconnect all display panel cables (1) from the display inverter and remove the inverter (2).



5. Remove all screws (1) that secure the display panel assembly to the display enclosure.
6. Remove the display panel assembly (2) from the display enclosure.

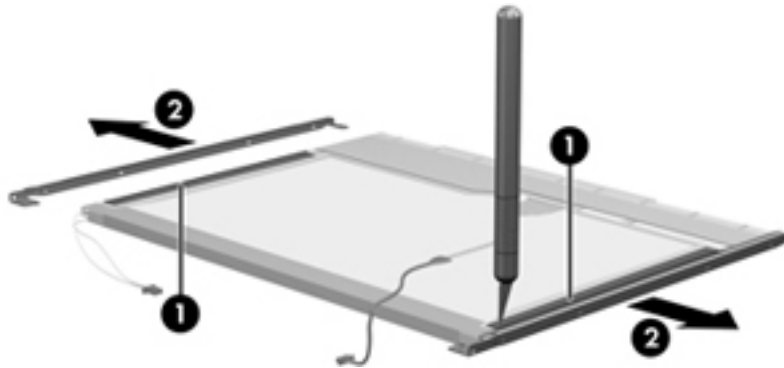


7. Turn the display panel assembly upside down.
8. Remove all screws that secure the display panel frame to the display panel.

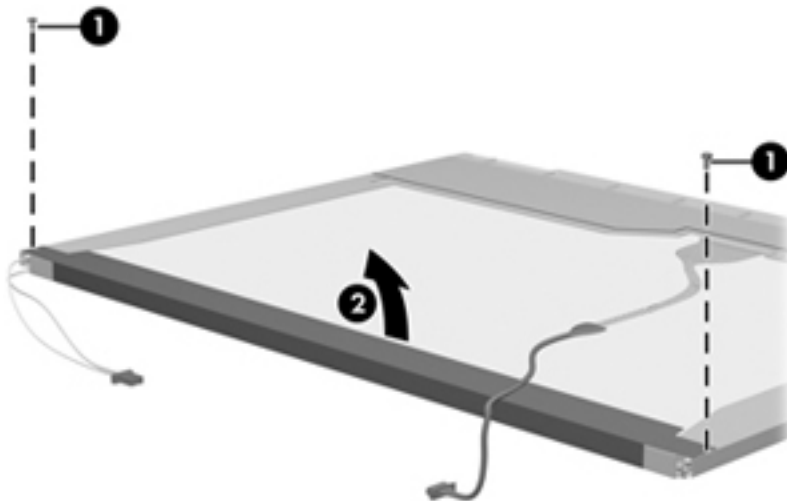


9. Use a sharp-edged tool to cut the tape (1) that secures the sides of the display panel to the display panel frame.

10. Remove the display panel frame (2) from the display panel.

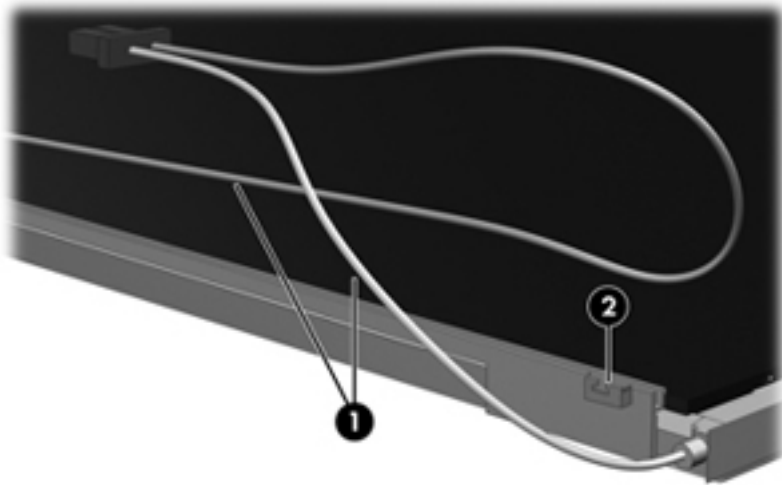


11. Remove the screws (1) that secure the backlight cover to the display panel.
12. Lift the top edge of the backlight cover (2) and swing it outward.

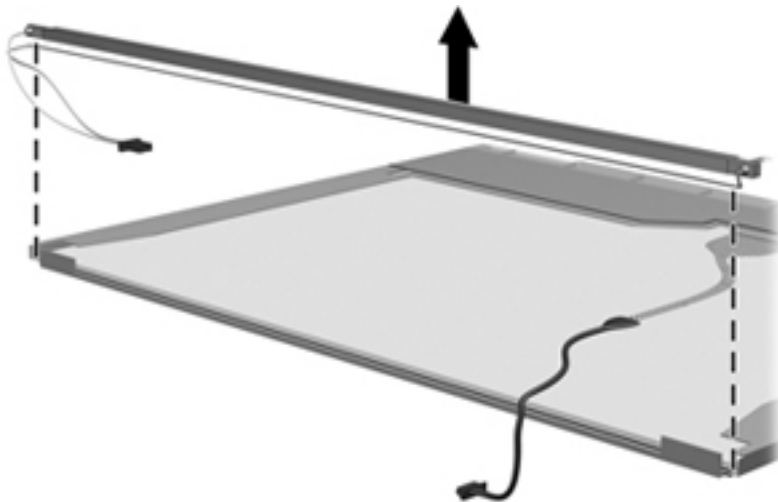


13. Remove the backlight cover.
14. Turn the display panel right-side up.

15. Remove the backlight cables (1) from the clip (2) in the display panel.

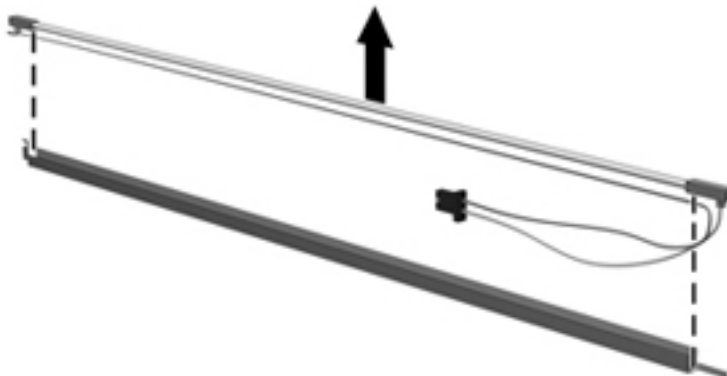


16. Turn the display panel upside down.
17. Remove the backlight frame from the display panel.

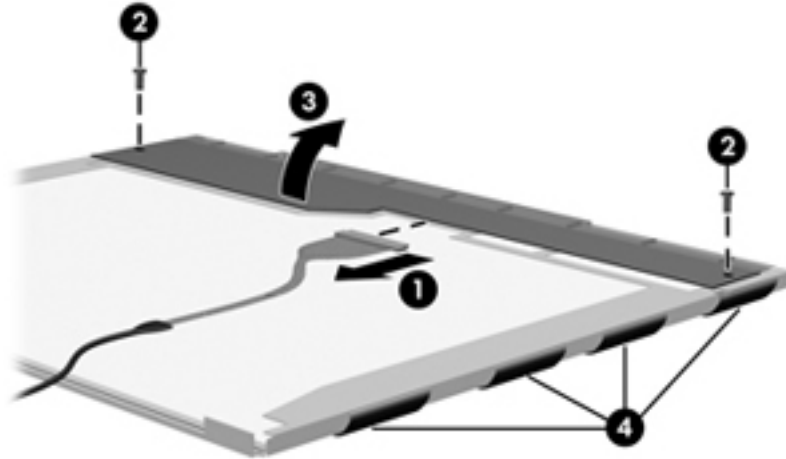


⚠ WARNING! The backlight contains mercury. Exercise caution when removing and handling the backlight to avoid damaging this component and causing exposure to the mercury.

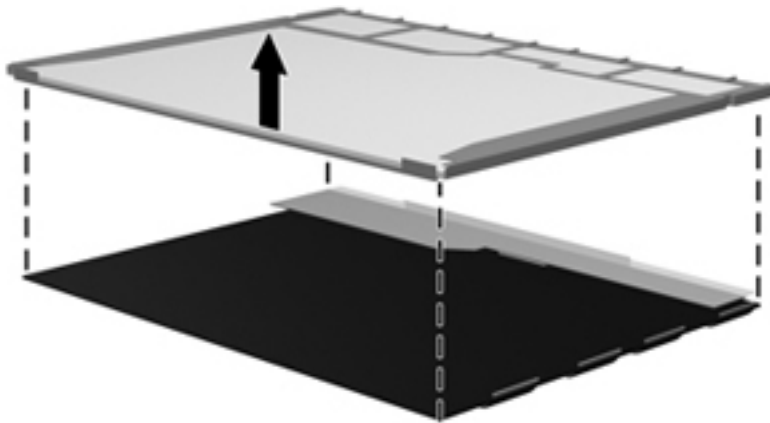
18. Remove the backlight from the backlight frame.



19. Disconnect the display cable (1) from the LCD panel.
20. Remove the screws (2) that secure the LCD panel to the display rear panel.
21. Release the LCD panel (3) from the display rear panel.
22. Release the tape (4) that secures the LCD panel to the display rear panel.



23. Remove the LCD panel.



24. Recycle the LCD panel and backlight.

Index

A

AC adapter, spare part number
23, 29
administrator password 74
advanced Setup Utility features
73
antenna, locations 6
applications key, Windows 7
audio, product description 2
audio-in jack
location 9
pin assignments 99
audio-out jack
location 9
pin assignments 99
audio-out S/PDIF jack 9
audio/infrared board
removal 65
spare part number 17, 24, 65

B

backup 95
base enclosure, spare part
number 18, 27
battery
removal 38
spare part numbers 20, 24,
25, 38
battery bay 13
battery light 6
battery release latch 13
Bluetooth module
removal 60
spare part number 16, 26, 60
Bluetooth module cable
spare part number 26
Bluetooth module cable, spare part
number 16, 60
boot options 75

boot order 75
bottom components 13
button sound 75
buttons
MediaSmart 6
Mobility Center 6
next/fast forward 11
play/pause 11
previous/rewind 11
rotate 6
stop 11

C

cables, service considerations 31
camera
location 6
product description 2
changing the Setup Utility
language 72
chipset, product description 1
closing the Setup Utility 74
CMOS clearing 35
components
bottom 13
display 5
front 5, 9
keyboard 7
left-side 10
rear 12
right-side 11
computer feet
locations 37
spare part number 18, 25, 37
computer specifications 76
connector pin assignments
audio-in jack 99
audio-out jack 99
external monitor port 100
headphone jack 99

microphone jack 99
modem jack 101
monitor port 100
network jack 101
RJ-11 jack 101
RJ-45 jack 101
S-Video-out jack 102
Universal Serial Bus (USB)
port 102
connectors, service
considerations 31
convertible hinge 5

D

Diagnostics menu 75
Digital Media Slot 10
Digital Media Slot light 10
diskette drive
precautions 31
product description 2
display assembly
removal 53
spare part numbers 15, 27, 53
display components
identifying 5
recycling 105
display connector cover
illustrated 21
removal 53
display convertible hinge 5
display panel, product
description 2
display release latch 6, 9
Display Rubber Kit, spare part
number 16, 25
display specifications 77
display switch 6
docking support, product
description 3

- drive light 5
- drives, boot order 75
- drives, preventing damage 31
- DVD±RW and CD-RW Double-Layer Combo Drive
 - precautions 31
 - removal 43
 - spare part numbers 17, 18, 22, 28, 43
 - specifications 79

E

- electrostatic discharge 32
- enhanced SATA support 75
- esc key 7
- Ethernet, product description 3
- expansion port 3 11
- ExpressCard slot 10
- ExpressCard slot bezel
 - illustrated 21
 - removal 62
- external media cards, product description 3
- external monitor port
 - location 11
 - pin assignments 100

F

- fan/heat sink assembly
 - removal 67
 - spare part number 17, 26, 67
- feet
 - locations 37
 - spare part number 18, 37
- fingerprint reader 6, 71
- fn key 7
- front components 5, 9
- function keys 7

G

- graphics, product description 1
- grounding equipment and methods 34

H

- hard drive
 - precautions 31
 - product description 2
 - removal 40

- spare part numbers 20, 22, 28, 29, 40
- specifications 78
- hard drive bay 13
- hard drive cover
 - illustrated 21
 - removal 41
- Hard Drive Hardware Kit, spare part number 20, 22, 27, 40
- hard drive self test 75
- headphone jack
 - location 9
 - pin assignments 99
- headset, spare part number 24
- hinge, display convertible 5
- HP Notebook Protective Sleeve, spare part number 26

I

- I/O address specifications 82
- infrared lens 6, 9
- interrupt specifications 81

J

- jacks
 - audio-in 9
 - audio-out 9
 - audio-out S/PDIF 9
 - headphone 9
 - microphone 9
 - modem 12
 - network 11
 - RJ-11 12
 - RJ-45 11
 - S-Video-out 11

K

- keyboard
 - product description 3
 - removal 49
 - spare part numbers 16, 27, 28, 49
- keyboard components 7
- keypad keys 7
- keys
 - esc 7
 - fn 7
 - function 7
 - Windows applications 7
 - Windows logo 7

L

- language support 72, 75
- left-side components 10
- lights
 - battery 6
 - Digital Media Slot 10
 - drive 5
 - optical drive release 10
 - power 6, 9
 - wireless 10

M

- Main menu 74
- mass storage devices, spare part numbers 22
- MediaSmart button 6
- memory map specifications 84
- memory module
 - product description 2
 - removal 44
 - spare part numbers 18, 28, 44
- memory module compartment 13
- memory module compartment cover
 - illustrated 21
 - removal 44
- memory test 75
- microphone jack
 - location 9
 - pin assignments 99
- microphones 6
- Mobility Center button 6
- model name 1
- modem jack
 - location 12
 - pin assignments 101
- modem module, product description 2
- monitor port
 - location 11
 - pin assignments 100

N

- navigating in the Setup Utility 72
- network jack
 - location 11
 - pin assignments 101
- next/fast forward button 11
- Notebook Stand, spare part number 23, 25

- O**
- operating system, product description 4
- optical drive
 - location 10
 - precautions 31
 - product description 2
 - removal 43
 - spare part numbers 17, 22, 43
 - specifications 79
- optical drive light 10
- optical drive release latch 13
- optical drive weight saving blank, spare part number 28, 43
- P**
- packing guidelines 33
- password clearing 35
- passwords 74
- pen
 - removal 39
 - spare part number 18, 28, 39
- pen eject assembly
 - removal 64
 - spare part number 17, 27, 64
- pen holder 11
 - removal 64
 - spare part number 17, 27, 64
- pen tether hole 11
- plastic parts 30
- Plastics Kit
 - contents 21
 - spare part number 16, 21, 26
- play/pause button 11
- pointing devices
 - components 8
 - product description 3
- ports
 - expansion port 3 11
 - external monitor 11
 - monitor 11
 - product description 3
 - Universal Serial Bus (USB) 11, 12
- power connector 10
- power cord
 - spare part numbers 26, 27
- power cord set requirements 103
- power cord, spare part numbers 23
- power light 6, 9
- power requirements, product description 4
- power switch 9
- power switch assembly
 - removal 58
 - spare part number 17, 27, 58
- power-on password 74
- previous/rewind button 11
- processor
 - product description 1
 - removal 69
 - spare part numbers 17, 27, 28, 69
- product description
 - audio 2
 - camera 2
 - chipset 1
 - diskette drive 2
 - display panel 2
 - docking support 3
 - Ethernet 3
 - external media cards 3
 - graphics 1
 - hard drives 2
 - keyboard 3
 - memory module 2
 - modem module 2
 - operating system 4
 - optical drives 2
 - pointing devices 3
 - ports 3
 - power requirements 4
 - processors 1
 - product name 1
 - security 4
 - serviceability 4
 - wireless 3
- product name 1
- protective sleeve, spare part number 23, 27
- R**
- rear components 12
- recovery discs 94
- recovery, system 94, 97
- remote control, spare part number 23, 25
- removal/replacement
 - preliminaries 30
 - procedures 36
- restore points 96
- right-side components 11
- RJ-11 jack
 - location 12
 - pin assignments 101
- RJ-45 jack
 - location 11
 - pin assignments 101
- rotate button 6
- RTC battery
 - removal 42
 - spare part number 18, 24, 42
- Rubber Feet Kit, spare part number 18, 25, 37
- S**
- S-Video-out jack
 - location 11
 - pin assignments 102
- Screw Kit
 - contents 85
 - spare part number 24, 25
- screw listing 85
- secondary hard drive self test 75
- security cable slot 12
- Security menu 74
- security, product description 4
- selecting in the Setup Utility 72
- service considerations 30
- service tag 14, 36
- serviceability, product description 4
- Setup Utility
 - changing the language 72
 - Diagnostics menu 75
 - displaying system information 72
 - Main menu 74
 - navigating 72
 - overview 71
 - Security menu 74
 - selecting 72
 - starting 71
 - System Configuration menu 75
 - using advanced features 73

- slots
 - Digital Media Slot 10
 - ExpressCard 10
- software, safeguarding information 94
- specifications
 - computer 76
 - display 77
 - DVD±RW and CD-RW Double-Layer Combo Drive 79
 - hard drive 78
 - I/O addresses 82
 - interrupts 81
 - memory map 84
 - optical drive 79
 - system DMA 80
- static-shielding materials 34
- stop button 11
- switch cover
 - removal 51
 - spare part number 16, 27, 51
- system board
 - removal 61
 - spare part number 17, 27, 61
- System Configuration menu 75
- system DMA 80
- system information 72, 74
- system memory map 84
- system recovery 94
- system restore points 96

T

- thermal material, replacement 68
- thermal pad kit, spare part number 29, 68
- tools required 30
- top cover
 - removal 56
 - spare part number 16, 27, 56
- TouchPad 8
- TouchPad left button 8
- TouchPad light 8
- TouchPad on/off button 8
- TouchPad right button 8
- TouchPad scroll zone 8
- transporting guidelines 33

U

- Universal Serial Bus (USB) port
 - location 11, 12
 - pin assignments 102
- unknown password 35

V

- vents 11, 12, 13
- video memory 75

W

- Windows applications key 7
- Windows logo key 7
- wireless light 10
- wireless switch 9
- wireless, product description 3
- WLAN module
 - removal 46
 - spare part number 26
 - spare part numbers 18, 25, 46
- WLAN module compartment 13
- WLAN module compartment cover
 - illustrated 21
 - removal 48
- workstation guidelines 33

